

### Superb Performance, Exceptional Value

Drawing from years of experience and industry leading technologies like Complex Conic waveguides, CA/CX loudspeakers are designed to meet the needs of today's Installed-AV professionals, with a broad range of systems to provide effective solutions for every sound reinforcement challenge at competitive price points.

The new C Series loudspeakers incorporate the newest generation of Complex Conic horns, with the latest drivers to provide clean, natural sound and tight pattern control. Unlike conventional loudspeaker designs, Complex Conic horns provide consistent beamwidth over a wider frequency range, with the natural, transparent sound that Renkus-Heinz is known for. And as with all Renkus-Heinz products, C Series loudspeakers are backed by Renkus-Heinz's renowned worldwide customer support.

### Applications

- Virtually any installation where size is a critical issue and outstanding sonic performance is required.
- Ideal for fills, delays and effects in both distributed and playback systems.
- A sonic match to Iconyx arrays.

### A Perfect Companion

The CX41 is a perfect companion to other Renkus-Heinz loudspeakers and to the Renkus-Heinz Iconyx line of digitally steerable column arrays. It features a high-performance audiophile-quality coaxial transducer in a miniaturized vented enclosure that can be easily and inconspicuously mounted almost anywhere.

It was designed to meet the needs of audio professionals seeking a very small full-range loudspeaker to support a wide range of low profile applications; stage lip, under balcony, reverberation assistance, side and front fill, effect and distributed systems all benefit from its compact design and smooth, full range performance.

### Advanced Design

The heart of the CX41 is its audiophile quality 4-inch coaxial transducer with a 4-inch, long-excursion woofer, 1-inch soft-dome tweeter and an advanced crossover network.

The CX41's skillfully designed vented enclosure adds to its exceptional performance by smoothly extending the low frequency response to 100 Hz and preserving the tonal balance of the loudspeaker.



## C Series

### CX41

Non-Powered

### Compact 4" Coaxial 2-Way Loudspeaker



#### • Outstanding Performance, Miniaturized Enclosure

100 Hz to 20 kHz  $\pm 3$  dB: Outstanding, full-range performance in a miniaturized, space-saving design.

#### • 4" Extended-Range Coaxial Transducer

Delivers the full frequency spectrum with accuracy and balance, easily handles 50 Watts of program power.

#### • 4" High Performance Woofer

A treated fiber cone and supple Butyl surround insure excellent transient response.

#### • 1" Extended Range Soft-Dome Tweeter

Provides smooth, low distortion high frequency performance to 20 kHz with minimal high frequency beaming.

#### • Advanced Crossover Network

Maintains time alignment through crossover, assuring point-source behavior.

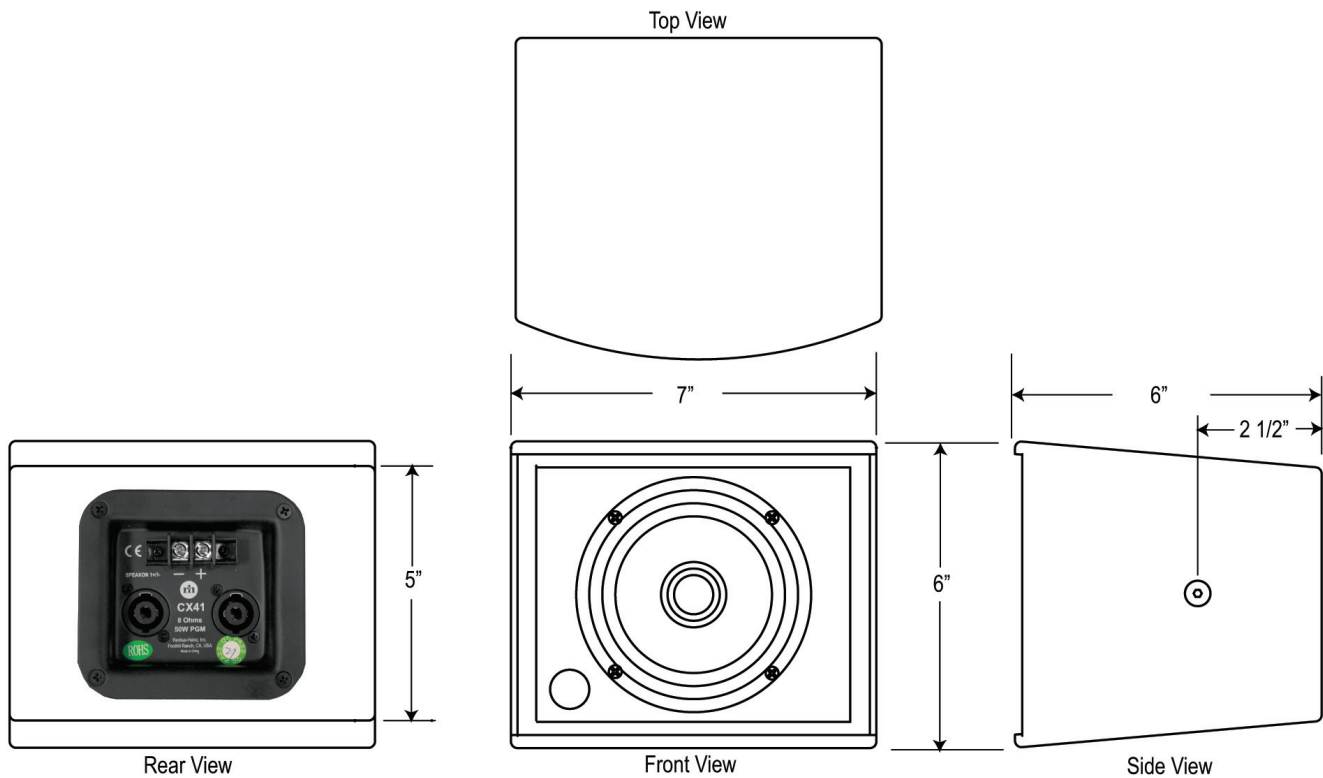
#### • Vented Enclosure

Maximizes low frequency response and tonal balance.

### CX41 Specifications

<b>Sensitivity:</b>	89 dB (1W/1m)	<b>Power:</b>	50 W pgm at 8 Ohms
<b>Maximum SPL:</b>	109 dB peak	<b>Connectors:</b>	Screw terminals & looping 4-pin Neutrik Speakon style connectors
<b>Dispersion:</b>	150° H by 150° V	<b>Finish:</b>	Black or White paint
<b>Frequency Response:</b>	± 3 dB, 100 Hz to 20 kHz	<b>Hardware:</b>	U-bracket attachment points
<b>Transducer:</b>	4" coaxial with a 4" treated fiber cone woofer and a 1" dome tweeter; 25 W RMS @ 8 Ohms, 50 W pgm, RH model SSL4-5	<b>Dimensions:</b>	6" H x 7" W x 6" D (15.2 cm x 17.8 cm x 15.2 cm)
<b>Enclosure:</b>	Hardwood, perforated metal grille	<b>Net Weight:</b>	4.8 Lbs (1.9 Kg) net
		<b>Assoc. Item:</b>	UBRKT/41 U-Bracket

### Dimensional Information



**Note:**

The enclosure is shown without its metal grill.

For more detailed dimensional information, please refer to the 2D and 3D drawing files on our website, [www.renkus-heinz.com](http://www.renkus-heinz.com).