

XTND Audio (300)

Increasing the range of either stereo or digital audio source up to 300m (984ft).



XTNDA300 / 2.50.896

Product Code / SKU

300m/984ft over single cable.

Bi-directional PoC.

Supports multi-channel audio.

Plug-and-Play design.

The XTND Audio (300) is a plug-and-play extender capable of extending the range of digital or analogue audio signals up to a distance of 300m/984ft over a single Cat5e or 6 cable. Featuring a built-in DAC it's possible to convert digital audio to analogue.



Audio from display to AVR

Can be used to return audio from a TV to an amplifier in a centralised or hidden location.



From AVR to Sub

Send signal to an active subwoofer located further away than normal.

Specifications.

Form.

Dimensions	90 / 72 / 20mm (TX and RX)
Weight	174g (TX and RX) / 900g (package)
Material	Steel

Technical.

Formats	PCM 2.0, LPCM, DTS, Dolby Digital, Dolby Digital+
Sampling	32KHz, 44.1KHz, 48KHz, 96KHz, 176.4KHz, 192KHz @ 24-bit

IO.

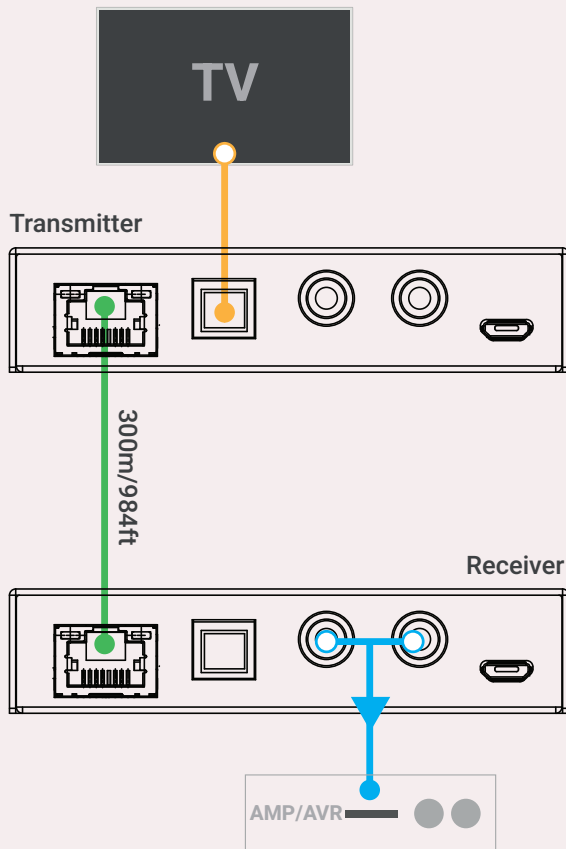
Inputs	x1 Optical, x1 Stereo RCA (L/R)
Outputs	x1 Optical, x1 Stereo RCA (L/R)

Power.

Power	DC5V 1A
PoE/PoC	Bi-directional
Consumption	1.5W (maximum).

Display to AVR.

Audio from display (streaming services) to AVR



AVR to Subwoofer.

Drive an active subwoofer away from AVR.

