



## Uncompromising Performance, Unequaled Versatility

The self-powered DR18-2R and the externally-powered DRS18-2B 18" subwoofers use advanced technology and application-driven engineering to bring live sound closer to the ultimate reference point: reality. Cutting edge high-power woofers and large rock-solid enclosures in a classic vented direct radiating design provide the natural uncolored sub bass favored by audio professionals around the world. Wherever audiences and operators demand the ultimate in sub bass performance, the DR18-2R and DRS18-2B subwoofers deliver the emotional impact obtainable only from 18 inch subwoofers.

All DR18-2R subwoofers are RHAON empowered for flexible analog and digital signal distribution and loudspeaker management and control over a standard Ethernet network.

### Applications

- Virtually any application where the visceral impact obtainable only from high power 18" subwoofers is required.
- Multi-channel A/V playback systems, live sound and music systems in clubs and disco's, performing art centers, theaters, houses of worship, etc.
- High quality speech and music systems, surround sound systems, board room systems, etc.
- A/V rentals, portable sound systems for performing artists and lecturers, small bands, choral groups, etc.



### PM-2LR Digital Amplifier

Passive or self-powered and networked, you can choose the system configuration that meets your needs. Select the DRS18-2B when the project dictates the use of external amplifiers and the self-powered DR18-2R for convenience and control in other applications.

The PM-2LR, the heart of the DR18-2R is a new kind of intelligent electronic system. It combines Class D digital amplification with RHAON, the Renkus-Heinz Audio Operations Network for comprehensive DSP controlled signal processing and control.

**RHAON** EMPOWERED RHAON empowers you with CobraNet digital audio distribution, user configurable DSP for maximum control, remote systems management from any Windows computer, life safety functions and more – all using standard Ethernet hardware and cable.

The PM-2LR has dual analog inputs, dual CobraNet inputs and an AES3id serial input. The onboard DSP is easily configured using RHAON software; it includes eight bands of parametric EQ, high and low shelving filters, delay and input level control. Critical operating parameters such as signal clipping, amplifier output voltage and current, and temperature are continually monitored with automatic alert functions.

## DR/DRS Subwoofers

### DRS18-2B

Dual 18" Externally-Powered Subwoofer

### DR18-2R

Dual 18" RHAON Empowered Subwoofer

**ACTIVE • POWERED • NETWORKED  
MAXIMUM CONTROL • MAXIMUM CHOICE**



- **Powerful Dual 18-inch Subwoofers**  
Provide high-impact, high level sub-bass performance (136 dB peak SPL on the DRS18-2B).
- **DR18-2R Self-Powered 18" Subwoofers**  
With integral PM-2LR amplifier and loudspeaker specific signal processing and protection, also include RHAON for flexible digital signal distribution, loudspeaker management and control.
- **DRS18-2B Non-Powered Subwoofers**  
Same high performance as the self-powered DR18-2R series only externally powered.
- **High Power, High Performance 18-inch woofers**  
With long throw magnetic structures assure linear cone movement at all power levels.
- **Great Versatility**  
All DR18-12R and DRS18-2B subwoofers are available in either portable or fixed installation versions in a wide choice of finishes. Weather resistant models are also available.

## TECHNICAL INFORMATION

### Sensitivity:

**DR18-2R:** 1.4 V (for rated power output)

**DRS18-2B:** 101 dB (1 W/1m) @ 50 HZ

### Max SPL:

**DR18-2R:** 133 dB program, 135 dB peak

**DRS18-2B:** 133 dB program, 136 dB peak

**Freq. Response:** 32 Hz to 120 Hz  
**Low Freq. Drivers -**

**DR18-2R:** Dual model SSL18-7, 18" cone woofer; each 800 W program @ 4 ohms

**DRS18-2B:** Model SSL18-7, 18" cone woofer; each 800 W program @ 8 ohms

### Power -

**DR18-2R:** See PM-2LR amplifier specifications

**DRS18-2B:** 1600 Watts program @ 4 Ohms

**Connectors - DR18-2R:** See PM-2LR specifications below

**DRS18-2B:** Looping Neutrik 4-pin connectors or screw terminals

**Enclosure:** 13 ply hardwood, heavily braced; perforated metal grille

**Finish:** Black or white paint, natural (unfinished), custom colors, weather resistant

**Hardware Options:** Handles, casters, Metric M10 universal mounting hardware PM3-WRKIT WR amplifier cover kit

**Dimensions:** 24" H x 48" W x 24" D  
 61 cm x 121.9 cm x 61 cm

### Net Weight:

**DR18-2R:** 204 Lbs. (92.5 kg)

**DRS18-2B:** 185 Lbs. (68.4 kg)

## PM-2LR AMPLIFIER

**PWR Rating (Watts):** 2 x 850 RMS, 950 Pgm, 1200 Peak (20 ms)

**Freq. Response:** +0.0, -5 dB, 20 Hz to 20 kHz

**THD Distortion:** < 0.01 % typical

**CMR:** > 90 dB, 30 Hz to 2 kHz

**Hum & Noise:** < 100 dB, 20 Hz to 20 kHz)

**Input Sensitivity:** 1.4 V for RPO

**Damping Factor:** 135 (100 Hz to 400 Hz)  
 100 (400 Hz and above)

### Power:

**Connector:** PowerCon locking connector

**Requirements:** 90/136 V AC or 180/260 VAC, 50/60 Hz  
 13 Amps @ 120 V, 6.5 Amps @ 240 V

**Idle Current:** 380 mA @ 120 V, 190 mA @ 240 V

### Max inrush current

**(soft start):** 14.5 Amps @ 120 V, 7.3 A @ 240 V

### Inputs

**Analog:** Dual inputs; looping XLR (female in & Male out) & Looping Phoenix connectors

**CobraNet:** Dual RJ 45 connectors (for redundancy)

**AESid Format:** AESid Format Serial Audio (AES/EBU input); Phoenix connector

### Controls:

LF, MF, HF Mute buttons  
 Up & Down Output Level push buttons  
 10 dB Input pad (on Analog 1 input)  
 Power On/Off, Push-To-Reset circuit breaker

### Computer Controls:

Gain, Mute, On/Standby, Input Selection; Compression, 9-Band Parametric EQ, Shelving & Rolloff Filters, Delay

### Status Indicators:

Power, Signal, Overdrive, Thermal, Mute, Input Pad

### Protection:

Soft & Peak Limiting, Excursion Control & Thermal Regulation

### Digital Format:

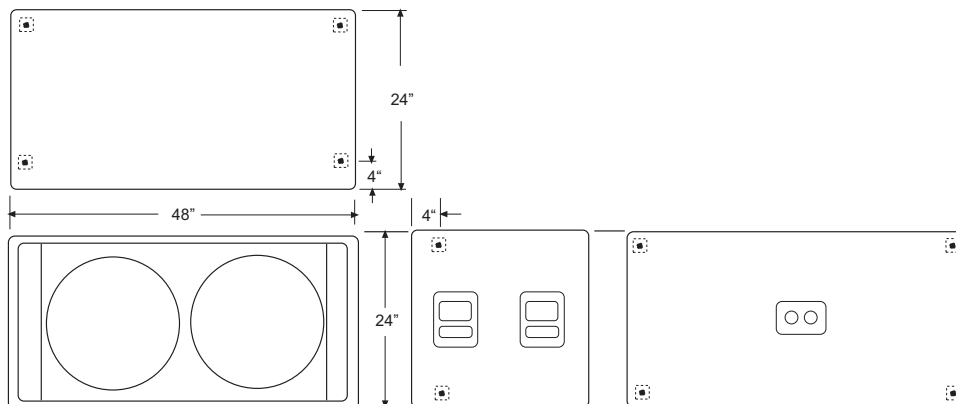
16, 20 or 24 bit PCM; 48 or 96 kHz sample rate; selectable Network Latency.

For additional details on the RHAON Audio Operations Network, refer to [www.renkus-heinz.com/Rhaon/Index.html](http://www.renkus-heinz.com/Rhaon/Index.html).

**Note:** All analog inputs and outputs comply with AES Standard 48-2005 on interconnecting, grounding and shielding.

## DIMENSIONAL INFORMATION

Note:



UMH (Universal Mounting Hardware) attachment points are standard on all fixed installation models. The points have Metric M10 threads and are positioned 1 3/4" from the edges unless otherwise indicated.

Portable models are normally supplied with handles in place of the attachment points. Heavy duty casters are available.

The enclosure is shown without its metal grille. For more detailed dimensional information, please refer to the 2D and 3D drawing files on our website, [www.renkus-heinz.com](http://www.renkus-heinz.com)