

## EN54 PENDANT CEILING SPEAKER

- 16W 100V LOUDSPEAKER
- SIZE 5" (130MM)
- PENDANT MOUNTING
- EXCELLENT SOUND QUALITY
- FULLY CERTIFIED TO EN54-24



### OVERVIEW

The SPCP-16W-50-EN54 is a 16W 100V pendant ceiling mount loudspeaker, which has a 5" (130mm) full-range chassis providing excellent sound quality with speech and background music, and which is certified to EN54-24. The speaker is fitted with a 100V transformer which has three power adjustment tapings of 16W, 8W and 4W.

The SPCP-16W-50-EN54 has a powder coated metal chassis and grille, with the high quality finish giving good long-term protection and resistance to corrosion. The speaker's enclosure is ingress protection rated to IP35. As standard the speaker is coloured to match RAL9010 'Pure White', however the speakers can be supplied in any four-digit RAL or NCS colour, as a special order.

The 100V loudspeaker line connection is provided via a 4.5m long 4-core cable, which is terminated to the 100V loudspeaker line site cabling using a two-pin ceramic block, housed within the speaker's ceiling mounting rose. For additional reliability a thermal fuse is provided and the speaker chassis is damp-resistant.

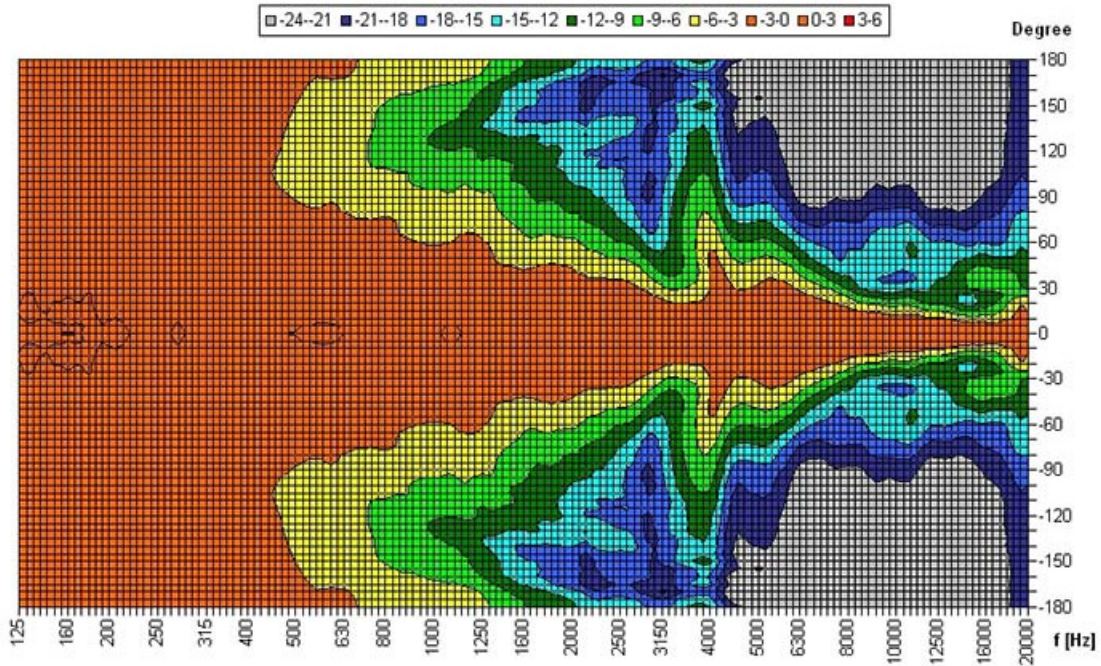
The loudspeaker is optionally available with a DC blocking capacitor fitted, in order to provide compatibility with DC loudspeaker line monitoring systems. The part number for this DC monitoring compatible version is SPCP-16W-50-EN54-DC.

EASE data is available for this speaker on request.

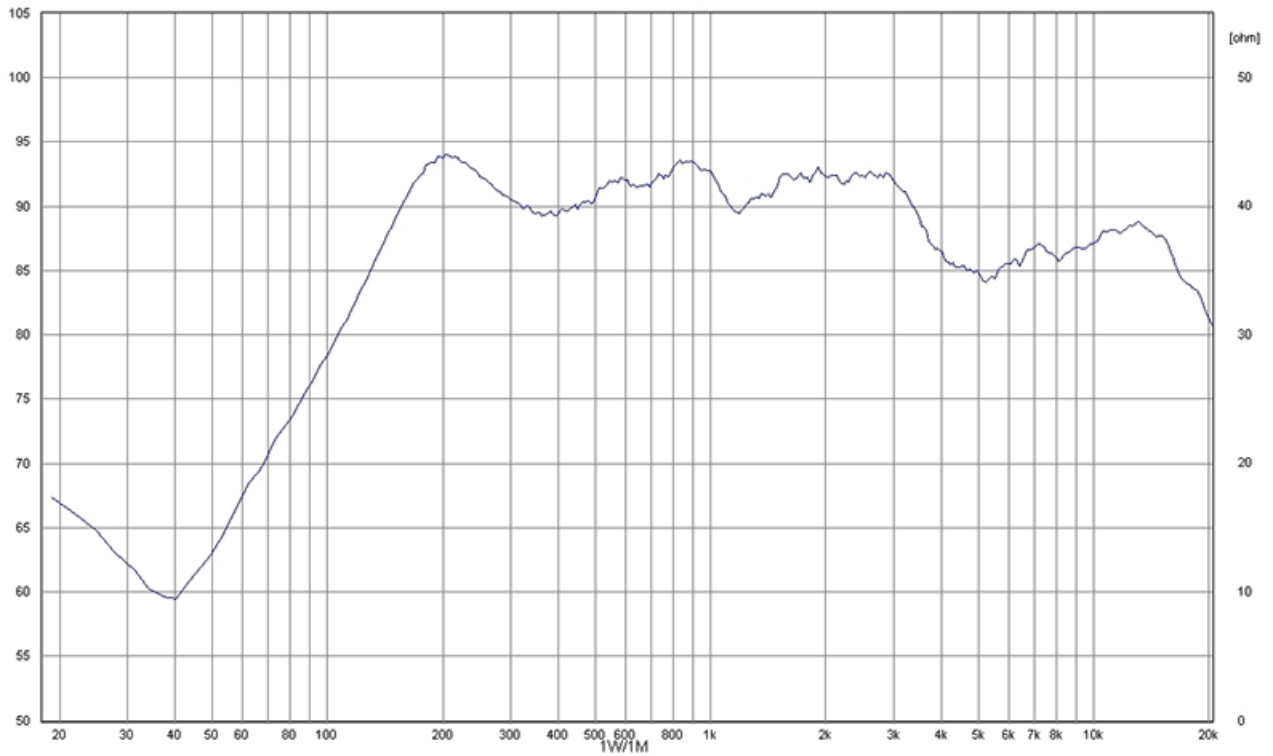
**PRODUCT ATTRIBUTES**

Power Tappings	16W / 8W / 4W
Frequency Range	130 – 13,300 Hz
Frequency Response	130 – 23,500 Hz
SPL 1W / 1m, peak	89.9 dB
SPL 1W / 4m, peak	77.9 dB
SPL Pmax / 4m, peak	89.9 dB
Sensitivity EN54-24, 1W / 4m	73.0 dB
Dispersion (-6dB, 500Hz)	360°
Dispersion (-6dB, 1KHz)	196°
Dispersion (-6dB, 2KHz)	132°
Dispersion (-6dB, 4KHz)	171°
Temperature Range	-20 / +80 °C
Dimensions	185 x 157 mm
Weight (net)	1.58 kg
Colour	RAL 9010 'Pure White'
Connector	2-pin ceramic block
Mounting	Mounting hook
Maximum cable cross section	8mm <sup>2</sup>
Maximum cable cross section loop	2 x 2mm <sup>2</sup>
IP Rating	IP35
Packing Unit	6

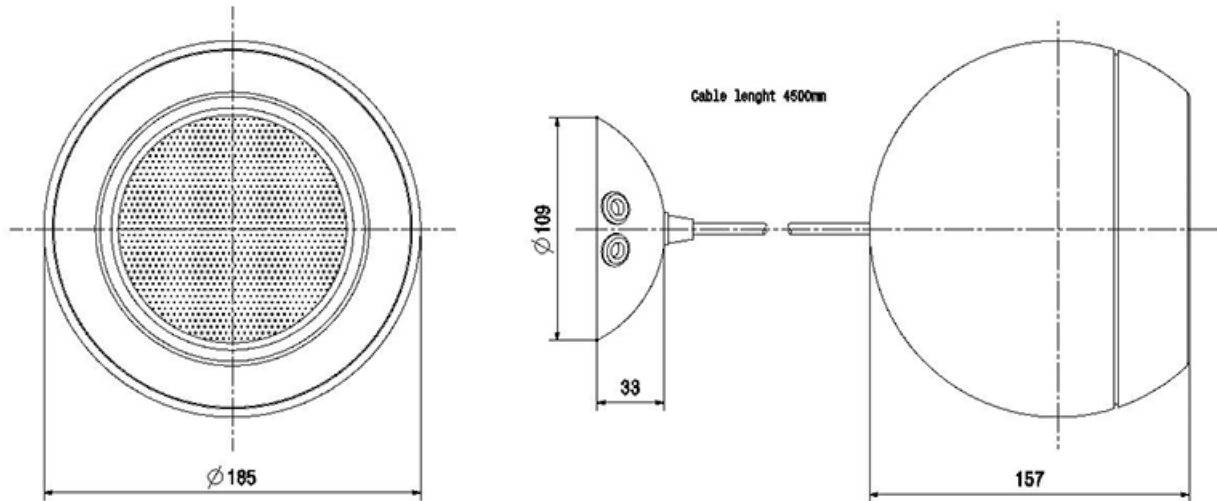
POLAR DIAGRAM



FREQUENCY RESPONSE DIAGRAM



**DIMENSIONAL DIAGRAM**



Measurements according to DIN EC 268-5

RoHS complaint (2011/65/EU)



This equipment is designed and manufactured to conform to the following EC standards:  
 EMC: EN55103-1/E1, EN55103-2/E5, EN50121-4, ENV50204  
 Safety: EN60065

Manufacturer

Application Solutions (Safety and Security) Limited  
 Unit 17 - Cliffe Industrial Estate - Lewes - East Sussex - BN8 6JL - U.K.  
 Tel: +44(0)1273 405411

[www.asl-control.co.uk](http://www.asl-control.co.uk)

All rights reserved.

Information contained in this document is believed to be accurate, however no representation or warranty is given and Application Solutions (Safety and Security) Limited assumes no liability with respect to the accuracy of such information.

