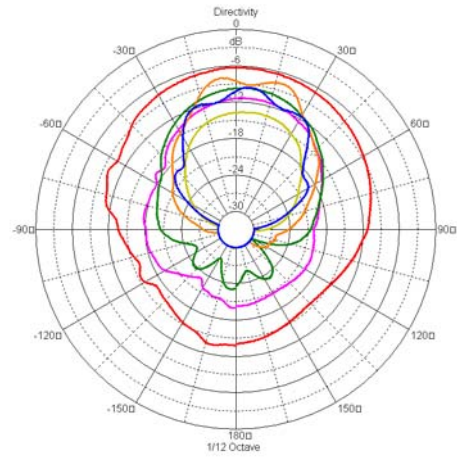
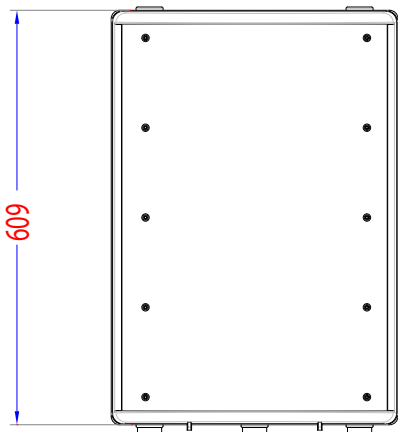
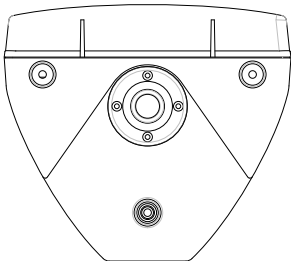
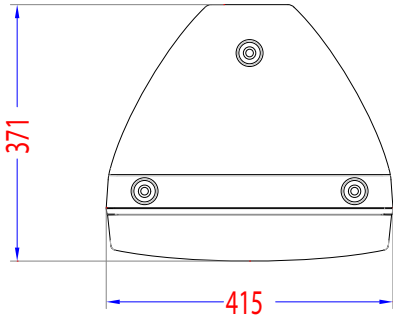
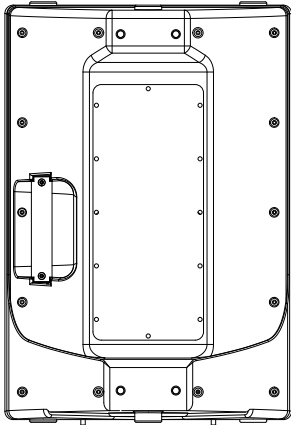


XRS12P Specification Sheet

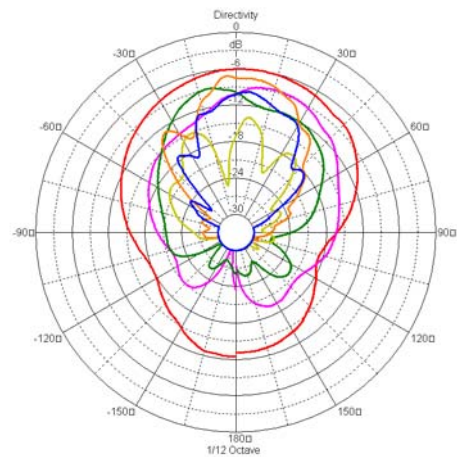
XRS12P two way active 2" compression driver & 12" woofer with biamped on board amplifier
300 watt (low) + 100 watt (high) speaker system supplied with foldback kit

Dimensions (mm)



Polar Plots – Vertical directivity

Curve	Freq	0dB	-6 dB angle	Q	DI
—	250Hz	-6.4	180.0	2.5	3.9
—	500Hz	-11.4	113.6	3.1	5.0
—	1000Hz	-9.7	101.6	4.2	6.3
—	2000Hz	-13.7	92.6	4.7	6.7
—	4000Hz	-8.6	74.7	5.4	7.3
—	8000Hz	-10.2	74.4	5.8	7.6



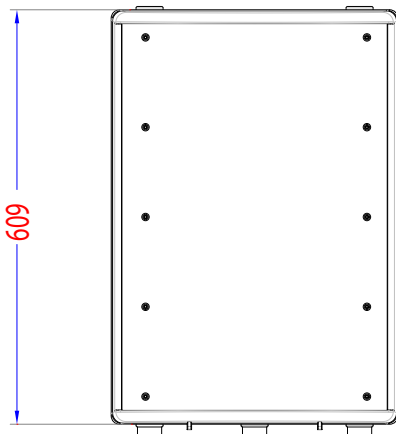
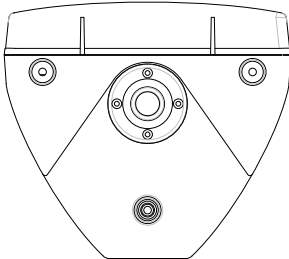
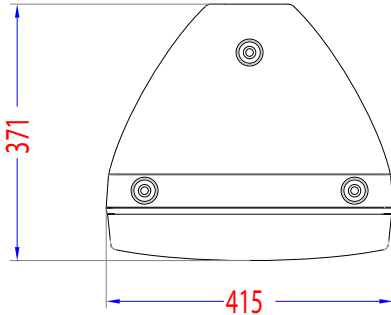
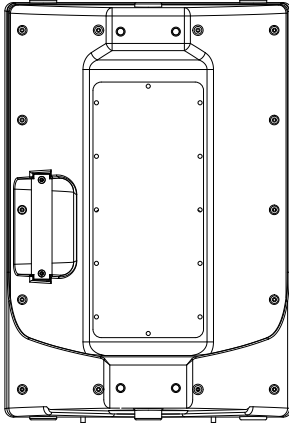
Polar Plots – Horizontal directivity

Curve	Freq	0dB	-6 dB angle	Q	DI
—	250Hz	-6.1	135.5	3.0	4.8
—	500Hz	-10.1	142.0	3.0	4.8
—	1000Hz	-9.9	104.4	4.2	6.2
—	2000Hz	-17.1	57.5	3.2	5.0
—	4000Hz	-7.5	58.5	7.2	8.6
—	8000Hz	-10.3	58.5	7.1	8.5

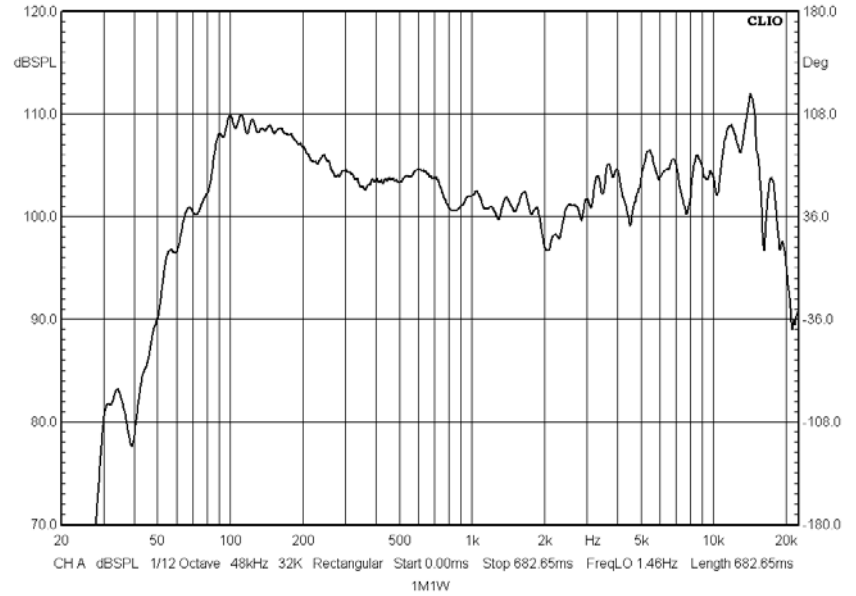
XRS12P Specification Sheet



Dimensions (mm)



Frequency Response Curve



Specifications

Power	300W (Low) + 100W (High)
Frequency Response	50Hz - 18kHz
Compression driver dispersion	90 x 90
Weight	23KG

ENGINEERED BY AUSTRALIAN MONITOR. DISTRIBUTED BY HILLS SVL
 ABN 78 001 345 482 Address: 1 Clyde Street, Silverwater, Sydney NSW 2128 Australia

Website: www.australianmonitor.com.au International enquiries email: international@australianmonitor.com.au

NSW Phone: (02) 9647 1411 Email: nsw@hillssvl.com.au

QLD Phone: (07) 3852 1312 Email: qld@hillssvl.com.au

NZ Phone: (09) 415 9426 Email: sales@hillssvl.co.nz

ACT Phone: (02) 6260 4544

WA Phone: (08) 9204 0200 Email: act@hillssvl.com.au

Email: wa@hillssvl.com.au

VIC Phone: (03) 9890 7477

SA Phone: (08) 8352 4444 Email: vic@hillssvl.com.au

Email: sa@hillssvl.com.au

