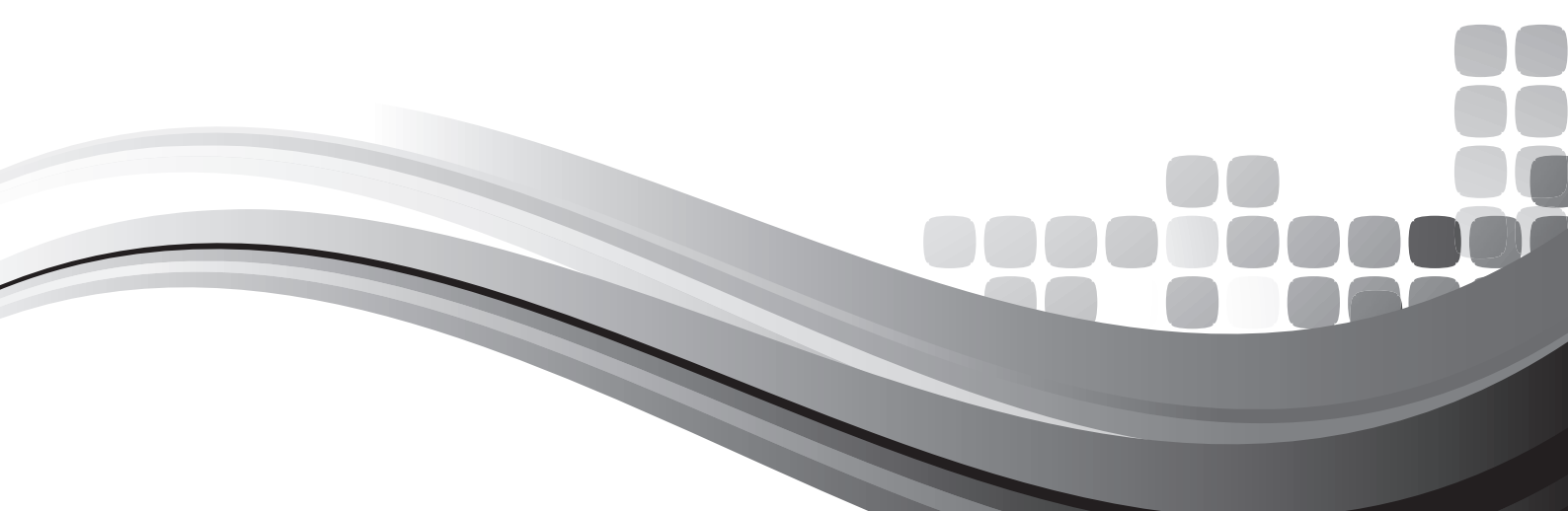




## INSTALLATION AND OPERATION MANUAL

# AMD SERIES

MIXER AMPLIFIERS    AMD100  
   AMD200



## IMPORTANT SAFETY INFORMATION

1. Read these instructions.
2. Keep these instructions.
3. Heed all warnings.
4. Follow all instructions.
5. Do not use this apparatus near water.
6. Clean only with dry cloth.
7. Do not block any ventilation openings. Install in accordance with the manufacturer's instructions.
8. Do not install near any heat sources such as radiators, heat registers, stoves, or other apparatus (including amplifiers) that produce heat.
9. Do not defeat the safety purpose of the polarized or grounding-type plug. A polarized plug has two blades with one wider than the other. A grounding type plug has two blades and a third grounding prong. The wide blade or the third prong are provided for your safety. If the provided plug does not fit into your outlet, consult an electrician for replacement of the obsolete outlet.
10. Protect the power cord from being walked on or pinched particularly at plugs, convenience receptacles, and the point where they exit from the apparatus.
11. Only use attachments/accessories specified by the manufacturer.
12. Use only with the cart, stand, tripod, bracket, or table specified by the manufacturer, or sold with the apparatus. When a cart is used, use caution when moving the cart/apparatus combination to avoid injury from tip-over.
13. Unplug this apparatus during lightning storms or when unused for long periods of time.
14. Refer all servicing to qualified service personnel. Servicing is required when the apparatus has been damaged in any way, such as power-supply cord or plug is damaged, liquid has been spilled or objects have fallen into the apparatus, the apparatus has been exposed to rain or moisture, does not operate normally, or has been dropped.
15. This appliance shall not be exposed to dripping or splashing water and that no object filled with liquid such as vases shall be placed on the apparatus.
16. Plug this apparatus to the proper wall outlet and make the plug to be disconnected readily operable.
17. Mains plug is used as disconnected device and it should remain readily operable during intended use. In order to disconnect the apparatus from the mains completely, the mains plug should be disconnected from the mains socket outlet completely.
18. Warning: To reduce the risk of fire or electric shock, do not expose this apparatus to rain or moisture.
19. An appliance with a protective earth terminal should be connected to a mains outlet with a protective earth connection.
20. The apparatus should be disconnected from the mains completely before speaker wiring. The speaker output should be proper protected from direct contact and pay attention to speaker connections, terminals and speaker wiring during normal operation.



## PRÉCAUTIONS DURANT UTILISATION

1. LISEZ ces instructions.
2. Tenez ces instructions.
3. Notez tous les avertissements.
4. Suivez toutes les avertissements.
5. N'utilisez pas ce produit près de l'eau (la piscine, la plage, le lac, etc.).
6. Nettoyez seulement avec une étoffe sèche.
7. Ne bloquez aucuns trous de ventilation. Installez en accord avec les instructions du fabricant.
8. N'installez près aucunes sources de chaleur comme radiateurs, registres de chaleur, fours ou les autres équipements (y compris amplificateurs) qui produisent la chaleur.
9. Ne défaites pas le but de sécurité de la fiche polarisée ou base-type. Une fiche polarisée a deux tranchants avec un plus large que l'autre. Une fiche de base type a deux tranchants et une troisième pointe de base, le tranchant large ou la troisième pointe est fourni pour votre sécurité. Si la fiche donnée ne conforme pas votre prise de contact, consultez un électricien pour remplacement de la prise de contact obsolète.
10. Protégez le cordon de secteur contre être marchée dessus ou pincez en particulier aux fiches, aux douilles de convenance, et au point où ils sortent de l'appareil.
11. Seulement utilisez attachements/accessoires spécifiés par le fabricant.
12. Utilisez seulement avec un chariot, un stand, un trépied, un support ou une table indiquée par le fabricant, ou vendue avec l'appareil. Quand un chariot est utilisé, faites attention en déplaçant la combinaison d'appareil/chariot pour éviter de se déséquilibrer.
13. Arrachez la fiche du dispositif durant éclair et orage ou quand pas utilisé pour longues périodes de temps.
14. Réferez au personnel qualifié de service pour toutes réparations. La réparation est donnée quand le système a été endommagé à n'importe façon, par exemple un fil ou une fiche endommagé(e) de la source d'alimentation. Avoir été exposé à pluie ou humidité, n'opère pas normalement, ou avoir été tombé.
15. L'appareil ne doit pas être exposé aux écoulements ou aux éclaboussures et aucun objet ne contenant de liquide, tel qu'un vase, ne doit être placé sur l'objet.
16. Branchez l'appareil à une source appropriée et faire que la prise à débrancher soit facilement accessible.
17. La prise du secteur ne doit pas être obstruée ou doit être facilement accessible pendant son utilisation. Pour être complètement déconnecté de l'alimentation d'entrée, la prise doit être débranchée du secteur.
18. Avertissement: Pour éviter le risque d'incendie ou de chocs électriques, ne pas exposer cet appareil à la pluie ou à l'humidité.
19. Un appareil avec la borne de terre de protection doit être connecté au secteur avec la connexion de terre de protection.
20. Assurez-vous que l'appareil est hors tension avant de connecter les hauts parleurs. Vérifiez que la sortie des enceintes soit protégées contre un contact physique. Respecter les polarités des terminaux ainsi que le câblage des enceintes pendant le fonctionnement afin d'assurer une utilisation sécurisée.





## AMD 100/200

The AMD series of mixer amplifiers from Australian Monitor represent a quantum leap forward in connectivity, controllability & flexibility in the constant voltage amplifier market. The AMD series allows a contractor to integrate the mixer amplifier to a third party control system, enable PC control, add ICON CP control panels for remote audio control or simply use the AMD amplifiers as standard mixer amplifiers. Add to this the power & flexibility of on board DSP processing & you have EQ, Dynamics, delay & level control all available to tailor your audio system to the most challenging of acoustic environments & deliver the highest possible sound quality for the end user.

Australian Monitor AMD series is the future of constant voltage amplification

INTRODUCTION	3
FRONT PANEL	4
REAR PANEL	5
THINGS TO KNOW	6
INSTALLATION & CONNECTION	7
USING THE GUI	8–12
ICON-CP/AMD100-200	13
RS485 PROTOCOL	14–16
DIMENSIONS	17
SPECIFICATIONS	18–19

Revision 1.3, June 2015

## WARNING!

TO PREVENT FIRE OR SHOCK HAZARD, DO NOT USE THE PLUG WITH AN EXTENSION CORD, RECEPTACLE OR OTHER OUTLET UNLESS THE BLADES CAN BE FULLY INSERTED TO PREVENT BLADE EXPOSURE.

TO REDUCE THE RISK OF FIRE OR ELECTRIC SHOCK, DO NOT EXPOSE THIS APPLIANCE TO RAIN OR MOISTURE.

TO PREVENT ELECTRICAL SHOCK, MATCH WIDE BLADE PLUG TO WIDE SLOT & FULLY INSERT.

## CAUTION

THESE SERVICING INSTRUCTIONS ARE FOR USE BY QUALIFIED SERVICE PERSONNEL ONLY. TO REDUCE THE RISK OF ELECTRIC SHOCK DO NOT PERFORM ANY SERVICING OTHER THAN THAT CONTAINED IN THE OPERATING INSTRUCTIONS UNLESS YOU ARE QUALIFIED TO DO SO.



The lightning flash with arrowhead symbol, within an equilateral triangle, is intended to alert the user to the presence of uninsulated “dangerous voltage” within the product’s enclosure that may be of sufficient magnitude to constitute a risk of electric shock to persons.

### CAUTION

**RISK OF ELECTRIC SHOCK  
DO NOT OPEN**

### WARNING:

TO REDUCE THE RISK OF ELECTRIC SHOCK, DO NOT REMOVE COVER (OR BACK). NO USER SERVICEABLE PARTS INSIDE. REFER SERVICING TO QUALIFIED SERVICE PERSONNEL.



The exclamation point within an equilateral triangle is intended to alert the user to the presence of important operating and maintenance (servicing) instructions in the literature accompanying the appliance.

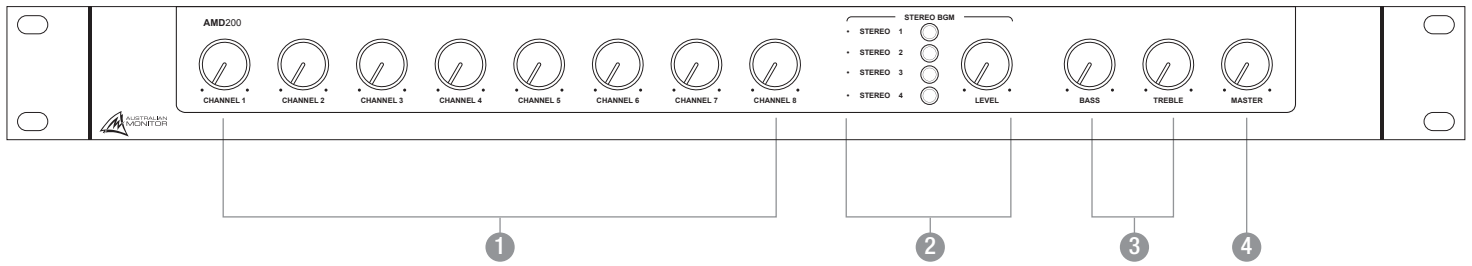


For European Union countries: This symbol on the product or its packaging indicates that this product must not be disposed of with other waste. Instead, it is your responsibility to dispose of your waste equipment by handing it over to a designated collection point for the recycling of waste electrical and electronic equipment. Please contact your local authority for further details of your nearest designated collection point.

Rating plate and caution marking are marked on the back enclosure of the apparatus



## FRONT PANEL



### 1 Mic/Line volume controls

Used to adjust the volume of each corresponding Mic/Line Input.

Front Panel volume control and the internal "Virtual" volume control are added together to give the overall total volume. For more information see page 6.

### 2 BGM Select

Mutually exclusive Background Music selection buttons. Pressing a selected source turn BGM off.

Level control adjusts the volume of the BGM.

### 3 Bass and Treble Controls

Bass and Treble front panel tone control.

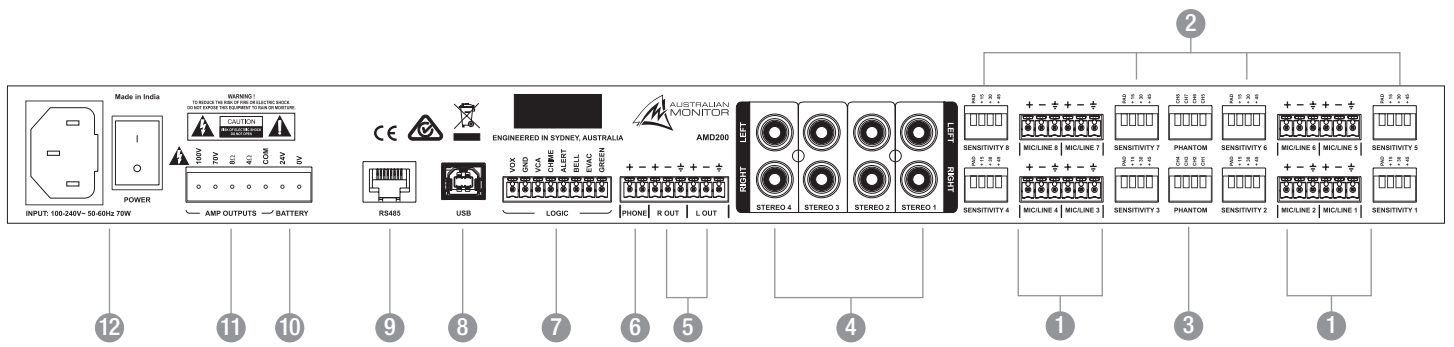
Bass: 10 dB of cut and boost at 200 Hz

Treble: 10 dB of cut and boost at 5 kHz

### 4 Master Volume

Used to adjust the master volume.

Overall master volume will always be a resultant of front panel, virtual volume and VCA volume. For more information see page 6.



## 1 Mic/Line inputs

Balanced mic/line input connector on a 3.81 mm pluggable connector.

## 2 Mic/Line Dip Switches

The dip switches allow you to adjust the sensitivity or add a pad to the corresponding input.

Only one DIP switch should be high at a time.

- Switch 1 pads the line (-20 dB)
- Switch 2 Adds 15 db of gain
- Switch 3 Adds 30 db of gain
- Switch 5 Adds 45 db of gain

## 3 Phantom Power Switches

Applies +34 VDC phantom power to the corresponding channels for electret or condenser microphones.

## 4 BGM RCA Inputs

4 Line level Background Music inputs on stereo RCA connectors. Stereo inputs are summed to mono for the amplifier, but remain stereo for the line level outputs

## 5 Line Level Outputs

Provides left and right line level outputs on 3.81 mm pluggable connector.

## 6 Phone

The phone input shares Mic/Line 2. Only one of these inputs should be used at a time.

A suitable LIU (Line Interface Unit) will need to be used for most systems

Specs:  
Nominal Level Input = 0 dBu  
Bandwidth = 300 Hz to 3 kHz

## 7 Logic Controls

Low Power Mode: When Low Power mode is connected to ground the unit will enter low power mode.

Evac, Bell, Alert and Chime: When one of these pins is connected to ground the corresponding tone will be triggered.

VCA: When a RC1 or 500 kΩ pot is connected between the VCA pin and GND audio can be remotely controlled.

If a short circuit is placed between the VCA pin and GND it will result in a mute.

Overall volume will always be a resultant of front panel, virtual volume and VCA volume. For more information please see page 6.

VOX: The VOX output will go high when ever audio exceeds the threshold on the selected mic channels within the GUI. the factory default has this option turned off.

The output from the VOX output is:  
+33 VDC at up to 200 mA

This can be used to drive an attenuator bypass, relay or similar to indicate audio is present.

## 8 USB

For connection to the PC GUI. All DSP and adjustable settings are configured via USB.

## 9 RS485

Used for ICON Control Panel integration and also the 3rd party control. See page 14 for more details.

## 10 Battery Input

24 VDC input for emergency power systems.

## 11 Amp Outputs

100 V , 70 V, 8 ohm or 4 ohm amplifier outputs.

## 12 Mains Input Connector

Your amplifier is fitted with a standard IEC 60320-C14 socket for mains connection. Use the mains cable supplied to power up the unit.

**NOTE:** Your unit must always be earthed!



## Virtual Volume Controls

We have chosen to call some of the volume controls within the AMD series “Virtual Volume” controls. This is mainly because these control sit inside the DSP of the product but also to differentiate them from the front panel volume controls.

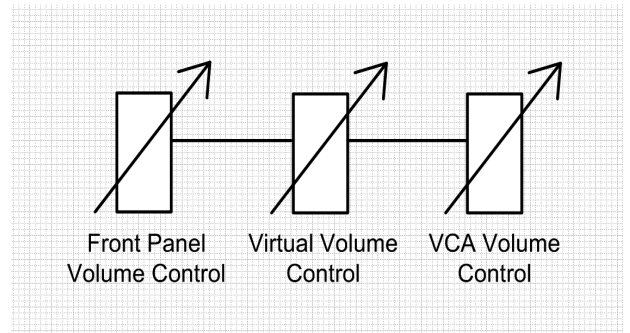
The “Virtual Volume’s” are controlled from either the PC GUI, 3rd Party Control or the ICON Control Panel. The volume control in the PC GUI will move whenever one of the controls is gestured.

The “Virtual Volume” is effectively in series with the front panel volume control.

The resultant volume control will always be a combination of the “Virtual” and front panel volume control providing the front panel is enabled.

If the front panel has been disabled then the only way to control volume is via the PC GUI, 3rd Party Control or ICON Control Panels.

**⚠ ATTENTION: When enabling and disabling the front panel the chance of the output level reaching excessive levels is present. Please be sure to mute the outputs before adjusting these options.**



## Updating Firmware

To update firmware inside of the AMD100/200 you will need a connection with the PC software via USB.

All firmware files for the AMD100/200 series have a filetype of .amfw, anything else will not be recognised by the software.

All firmware files need to be placed inside the AMD software directory:

C:/Program Files/Australian Monitor/AMD100 or AMD200/Firmware

If a .amfw file is placed in that folder then all the user needs to do is go to Device > Update Firmware on the title bar of the GUI.

From here you can pick which firmware file you want to load into the device.

Australian Monitor suggests that you only ever update the firmware on a device when told to by Australian Monitor Tech Support. We also suggest that you always update to the most recent version of firmware unless told otherwise.

## Default Configuration

Out of the box the AMD works as a regular mixer-amplifier. The default configuration is as follows:

Volume controls: All set to 0 dB and Un-muted

Bass and Treble Filter: Set to 0 (flat)

Front panel Enabled

VCA Enabled

Priority Set Up: Mic/Line 1 = Medium (Level 2)

Mic/Line 2 = Low (Level 1)

Mic/Line 3-8 = None (Level 0)

Bell = Medium (Level 2)

Chimes = Medium (Level 2)

All Tones set to -12 dB



## System Requirements

In order to use the AMD100/200 software it is recommended your computer meets the following requirements:

CPU:	1.4 Ghz or higher
Memory:	512 MB or more
Hard Disk:	30 MB or more available
Display:	1024 x 768 (16 bit) or higher
OS:	Windows XP SP2 or later, Windows Vista, Windows 7
Other:	USB Connection

**NOTE: The AMD100/200 software only supports 32-bit operating systems.**

## Installation

- 1 Log on to Windows using an account with administrator privileges.
- 2 Double click on "AMD.100.msi" located where you downloaded the application to.
- 3 Perform the installation as per the on-screen instructions.
- 4 After the installation is complete a folder should be created containing all the installation files (By default, "C:\Program Files\Australian Monitor").
- 5 A shortcut will also be placed in the "Start Menu".

## Connection:

The connection between a PC and the AMD series amplifier is done over USB. The connection is plug and play so there is minimal set up required to get up and running.

When you first connect a USB cable to the AMD amplifier and you open the AMD software GUI you should see in the bottom left hand corner a connection button (See picture 1).

When the unit is first connected this should read "determining status" once this has been completed the unit should read "Offline – Connected" (See picture 2 & 3). This tells you that the GUI sees an appropriate device at the end of the cable. If it reads "Offline - Not Connected" then either the wrong software GUI has been used or the device cannot be found.

Once the GUI has determined the status you can click on the connect button.

This will bring up an option window asking you if you want to either "Send" or "Retrieve" the configuration settings (See picture 4).

"Send" will send the current GUI settings to the connected AMD Device.

"Retrieve" will poll the unit for its current configuration and download it to the GUI.

Once this has been done the GUI will be connected to the AMD amplifier and you will be able to start adjusting volumes and DSP settings.



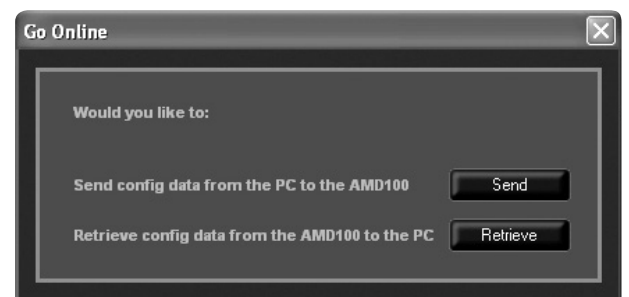
Picture 1



Picture 2



Picture 3



Picture 4



## USING THE GUI

### Main Screen:

The Main screen of the GUI is where most volume adjustments are made. From here you have control over the master output, mic/line inputs and the BGM selector.

At the base of this screen there are five set up buttons to adjust features of the AMD series mixer amplifiers.



### Audio Setup:

The Audio Setup page allows you to adjust all the DSP functions within the AMD Series.







**Input Level:**

Each input on the AMD100/200 contains a digital trim level control, this ranges from -96 dB to +12 dB.

There is also an invert button to reverse the phase on that input.



**Input Dynamics:**

Each input on the AMD100/200 contains a compressor. Threshold, Ratio, Attack, Release and Output Gain may be adjusted.

All adjustments are displayed on the graph to the right of the screen.



**Input EQ:**

Each input on the AMD100/200 contains EQ. The EQ features a Low Shelf, High Shelf and 2 parametric filters.

All adjustments are displayed on the graph to the right of the screen.



**Output EQ/Filter:**

Each output of the AMD100/200 contains an EQ and Crossover. The crossover allows you to place a High Pass, Low Pass and All Pass filter on the signal. Each filter has a frequency adjustment, the All Pass filter also contains a Q width adjustment.

From the drop down boxes below the filter adjustments you can change the filter slope, the options are:

Butterworth 6 dB/Oct – 24 dB/Oct

Linkwitz-Riley 12 dB/Oct – 24 dB/Oct

Bessel 12 dB/Oct – 24 dB/Oct

The EQ section of the output features a High Shelf, Low Shelf and 4 parametric filters.

Both the crossover and the EQ section displayed on the graph to the right of the page.





## USING THE GUI

### Output Delay:

Each output of the AMD100/200 features delay adjustment. The adjustment is in the range of:

Samples: 0 - 5952

Milliseconds: 0.00 – 124.00

Meters: 0.00 – 42.90

Feet: 0.00 – 140.76



### Output Dynamics:

Each output of the AMD100/200 features a compressor. Threshold, Ratio, Attack, Release and Output Gain may be adjusted. All adjustments are displayed on the graph to the right of the screen.



### Output Level:

Each output of the AMD100/200 features an output level trim. This control ranges from -96 dB to +12 dB.





**Priority:**

The Priority window allows you to adjust which inputs have priority over others. There are four levels of priority in the AMD Series.

- Level 0 – No Priority
- Level 1 – Low Priority
- Level 2 – Medium Priority
- Level 3 – High Priority
- Level 4 – Highest Priority

When two inputs share the same level of priority they will both stay active when the lower priority channels mute.

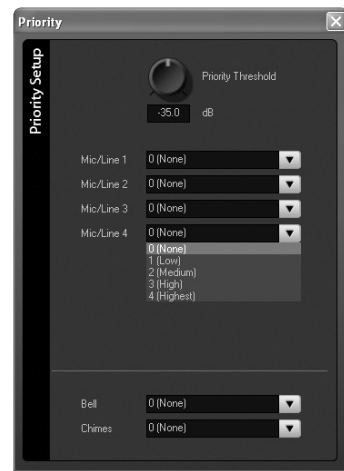
The threshold at which the priority will become active is adjusted via the control at the top of the page.

All inputs will trigger from the same audio level set from the priority threshold control.

Bell and Chimes have selectable priority and can sit on any of the 5 levels.

Evac and Alert are fixed to the highest level of priority.

BGM sources are fixed to the lowest level of priority.



**Tones:**

The tone generator window allows you to adjust the volume of the tones present in the AMD Series. The following tones are available:

- Bell (Pre Master Level)
- Chimes (Pre Master Level)
- Alert (Post Master Level)
- Evac (Post Master Level)

All tones volumes are by default set to -12 db.





## VOX Output:

The VOX Output window allows you to adjust when the VOX Output is triggered and by what sources.

The VOX Output threshold control allows you to adjust at what level the will VOX output will trigger

The Vox logic is selectable as to which Mic/Line input it is triggered off.

By default the Vox threshold is set to -35 db with no trigger source enabled.

For more information about the VOX trigger output see page 5.



## Enable Setup:

The Enable Setup window allows you to enable and disable VCA and Front Panel Control. If control is active the blue light will be activated next to that option.

**! ATTENTION: When enabling and disabling either of these functions the chance of the output level reaching excessive levels is present. Please be sure to mute the outputs before adjusting these options.**

The volume controls inside the AMD Mixer amplifier are in series. There for having the GUI based volume control at a minimum but the front panel control at full will result in no audio. See page 6 for details.

All three volume controls are in series. Overall volume will always be the resultant of front panel, virtual volume and VCA volume.

The factory default has the front panel enabled and GUI based volume controls set to 0db so it performs like a normal mixer amplifier.





The ICON-CP can be used to control certain functions of the AMD100/200.

The set up the control panel all you need to do is address the panel on SW1. Switch 1-8 represent a binary address. For example to address it to ID1 all you need to do is have number 1 on, to address it to 3 have switch 1 and 2 on.

SW2 C and D do not do anything, A and B adjust the LED settings of the panel. With switch A high ambient light adjustment will be turned on. With switch B on, low brightness mode will be activated. Only one switch should be up at a time.

**ID 1:**

In this mode the first 5 buttons act as a source select (1-4 and off)

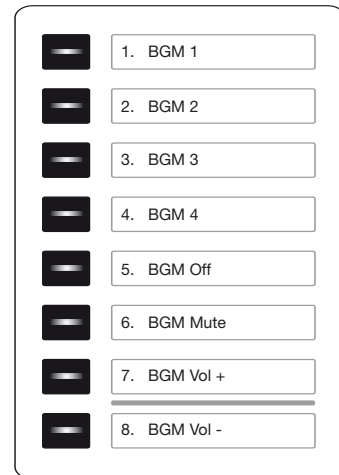
The 6th button acts as a mute control

Buttons 7 and 8 are volume up and volume down for the BGM source

**NOTE:**

BGM Off deselects all the BGM input.

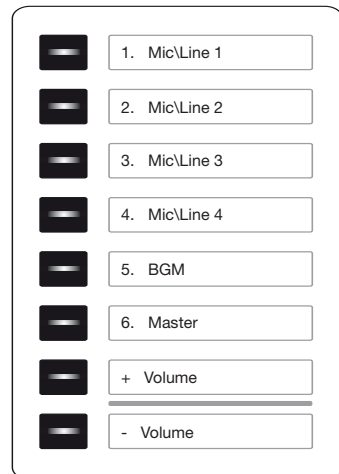
BGM Mute toggles and maintains the selected BGM source for easy unmuting.



**ID 2:**

In this mode the panel acts as 6 individual volume controls.

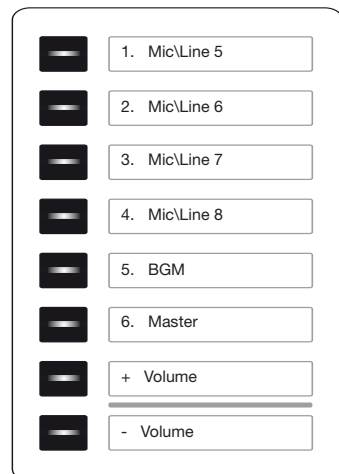
The first 6 buttons pick the volume you want to control and the bottom two buttons are volume up and volume down.



**ID 3:**

This mode is the same as two but controls different sources.

Note, this is will work on AMD200 only.





## Port & Protocol Information

The AMD100/200 has a RJ45 connector on the rear of the unit. This connector is used for the ICON-CP control panel and also for controlling the device with an external control system via RS485.

Below is the pinout of the RJ45:

Pin 1 = NC

Pin 2 = GND

Pin 3 = RS485-A

Pin 4 = Power (+33 VDC, supplied by AMD100/200 up to 500 mA)

Pin 5 = Power (+33 VDC, supplied by AMD100/200 up to 500 mA)

Pin 6 = RS485-B

Pin 7 = GND

Pin 8 = NC

All parameters are constantly updated in the AMD100/200. If a control is adjust by another source e.g. ICON-CP all control devices will be update (3rd Party control and PC Gui).

Baud rate: 19200

Bits: 8

Parity: No

Stop bits: 1

The protocol is an ASCII protocol – all characters in the string are ASCII chars. Abinary value ranging between hexadecimal 00 and FF is transmitted as two ASCII chars. All command strings start with the % character and end with a carriage return – shown as <CR> in this document and equal to the single ASCII value of 13 (0x0D).

## Available Parameters

The following parameters can be externally controlled:

Mic/Line Input 1 - 8 (1 - 4 for AMD100), BGM source and Master virtual volume control.

Mic/Line input 1-8 (1 - 4 for AMD100), BGM source and Master mute.

BGM Source select

Low Power Mode

Virtual filter control (bass and treble)

Filter bypass (bass and treble)

Power amp fault indication

## Virtual Volume Controls:

To adjust the virtual volume control of the mic/line inputs, BGM source or Master.

**%PVAL:xyy<CR>**

“xx” represents the parameter ID to be adjusted and “yy” is the new value.

### Parameter ID's

01 = Mic/Line 1 Volume

02 = Mic/Line 2 Volume

03 = Mic/Line 3 Volume

04 = Mic/Line 4 Volume

05 = Mic/Line 5 Volume

06 = Mic/Line 6 Volume

07 = Mic/Line 7 Volume

08 = Mic/Line 8 Volume

09 = Stereo BGM Volume

0C = Master Volume

The value of yy can range between 0x00 (off) and 0xE1 (225 = +12 dB of gain). This allows half dB steps throughout the range where for example:

0x00 = Off

0x01 = -100 dB

0xC9 = 0 dB

0xE1 = +12 dB

To request the current level of a source:

**%PVAL:xx??<CR>** where “xx” is the source.

When a volume is adjusted from another source e.g. ICON-CP the AMD100/200 will send:

**%PVAL=xyy<CR>** where “xx” is the source and “yy” is the current value.



### Virtual Mute Flags

To toggle the mute control of Mic/Line 1-8, BGM source or Master.

**%PFLG:xyy<CR>**

“xx” represents the parameter ID to be adjusted and “yy” is the new value of the flag.

#### Parameter ID's

01 = Mic/Line 1 Mute Flag

02 = Mic/Line 2 Mute Flag

03 = Mic/Line 3 Mute Flag

04 = Mic/Line 4 Mute Flag

05 = Mic/Line 5 Mute Flag

06 = Mic/Line 6 Mute Flag

07 = Mic/Line 7 Mute Flag

08 = Mic/Line 8 Mute Flag

09 = Stereo BGM Mute Flag

0C = Master Mute Flag

The value of “yy” should either be 00 or 01.

00 = Unmuted

01 = Muted

To request the current value of the mute flag:

**%PFLG:xx??<CR>** where “xx” is the source

If a mute flag is enabled from another source e.g. ICON-CP the AMD100/200 will send:

**%PFLG=xyy<CR>** where “xx” is the source and “yy” is the current value

### BGM Source Select

To select a BGM source.

**%PSRC:xx<CR>**

“xx” represents the source you want to select.

00 = Off

01 = BGM 1

02 = BGM 2

03 = BGM 3

04 = BGM 4

To request the current value of the mute flag:

**%PSRC:??<CR>**

If the BGM source is changed from another source e.g. ICON-CP the AMD100/200 will send:

**%PSRC=xx<CR>** where “xx” represents the current source

### Low Power Mode

To place the enable or disable “low power mode”

**%PGRN:xx<CR>**

“xx” represents whether the unit is in low power mode or not.

00 = Normal Mode

01 = Low Power Mode

02 = Emergency Mode

03 = Emergency Mode with Low Power Mode

To request the current value:

**%PGRN:??<CR>**

The device will respond with:

**%PGRN=xx<CR>** where “xx” is the current state



## Virtual Filter Controls

To adjust the virtual filter control of the master Treble and bass controls.

**%PVAL:xyy<CR>**

“xx” represents the parameter ID to be adjusted and “yy” is the new value.

Parameter ID's

0A = Bass Filter

0B = Treble Filter

The value of “yy” can span between 0x00 (10 dB of cut) and 0x14 (10 dB of boost)

To request the current level of a source:

**%PVAL:xx??<CR>** where “xx” is the source.

When a filter is adjusted from another source e.g. the GUI the AMD100/200 will send:

**%PVAL=xyy<CR>** where “xx” is the source and “yy” is the current value.

To request the current level of a source:

**%PVAL:xx??<CR>** where “xx” is the source.

## Filter Bypass Flag

To toggle the bypass control of the bass and treble filters.

**%PFLG:xyy<CR>**

“xx” represents the parameter ID to be adjusted and “yy” is the new value of the flag.

Parameter ID's

0A = Bass Filter

0B = Treble Filter

The value of “yy” should either be 00 or 01.

00 = Filter Inline

01 = Bypassed Operation

To request the current value of the mute flag:

**%PFLG:xx??<CR>** where “xx” is the source

If a mute flag is enabled from another source e.g. ICON-CP the AMD100/200 will send:

**%PFLG=xyy<CR>** where “xx” is the source and “yy” is the current value

## Power Amp Fault Indication

To poll the unit for its current fault status

**%PAMP=??<CR>**

The AMD100/200 will respond with.

**%PAMP=xx<CR>**

“xx” represents whether the unit is in amplifier fault mode

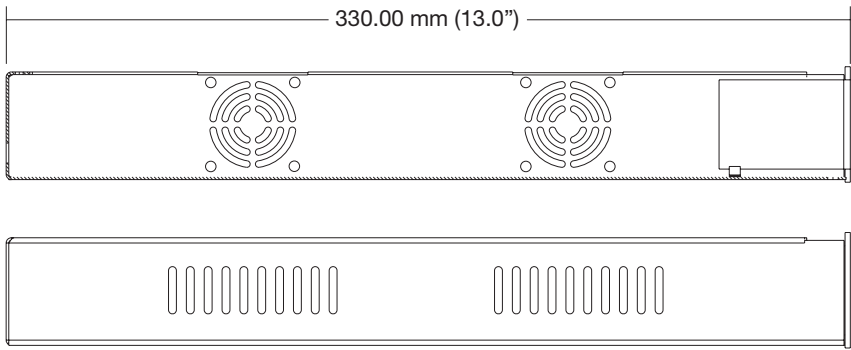
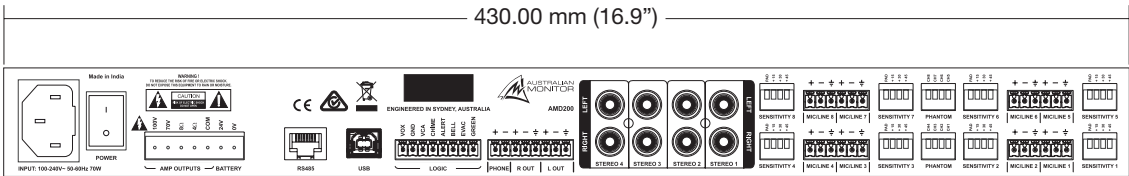
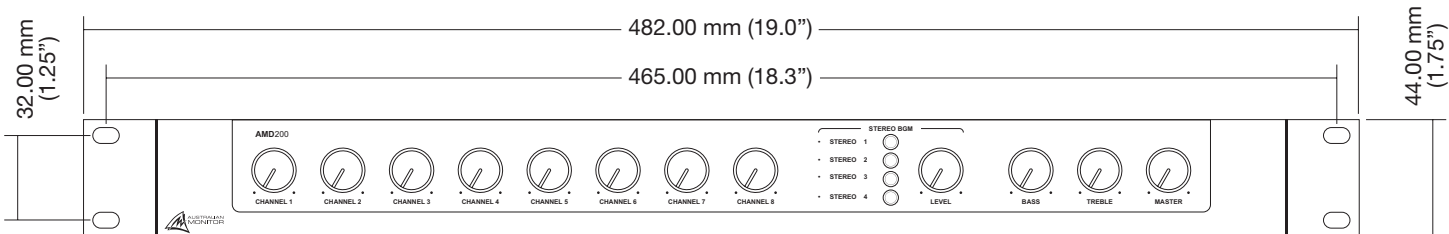
00 = Amp is running in normal mode

01 = Amp is in thermal shutdown

02 = Amp is in fault shutdown

The PAMP command is a polled command, the AMD100/200 will not send data regarding the amp status unless explicitly requested to do so.







# SPECIFICATIONS

	Specification	Conditions
<b>Frequency response:</b>		
Mic/Line Inputs ---->Line Level Output	20-20 kHz, -3 dB	Signal Input -2 dB below clip
Mic/Line Inputs ---->Amp Output	60-20 kHz, -3 dB	Signal Input -2 dB below clip
Stereo Inputs ---->Line Level Output	20-20 kHz, -3 dB	Signal Input -2 dB below clip
Stereo Inputs ---->Amp Output	60-20 kHz, -3 dB	Signal Input -2 dB below clip
<b>Total Harmonic Distortion:</b>		
Mic/Line Inputs ----> Line Level Output	<0.05 %	0 dB gain, Signal input -2 dB below clip
Mic/Line Inputs ----> Line Level Output	<0.1 %	45 dB gain, Signal input -2 dB below clip
Mic/Line Inputs ---> Amp Output	<0.5 %	Signal input -2 dB below clip
Stereo Inputs ---> Line Level Output	<0.05 %	Signal input -2 dB below clip
Stereo Inputs ----> Amp Output	<0.5 %	Signal input -2 dB below clip
<b>Input Impedance:</b>		
Mic/Line		
Mic:	1.5 k	
Line:	1.5 k	
Stereo Input	12 k	
<b>Max Input</b>		
Mic/Line Input	22 dBu	Mic/Line pad on
	2 dBu	Mic/Line pad off
Stereo Input	6 dBu	
<b>Mic/Line Pad Switch:</b>	20 dB pad	
<b>Maximum Voltage Gain:</b>		
Mic/Line Inputs	45 dB	With 45 dB gain switch (analog domain)
<b>Phantom Power:</b>	+34 VDC	Available via individual switch on each mic/line channel
<b>Cross Talk:</b>	> 80 dB	1 kHz, input channel at clip, measured on line output of adjacent output
<b>S/N Ratio:</b>		
Mic/Line Input	> 92 dB	A-weighted, to line and amp output, 20 Hz to 20 kHz
Stereo Input	> 91 dB	A-weighted, to line and amp output, 20 Hz to 20 kHz
<b>Max Output</b>		
Line Level Output	10 dBu	Balanced (+4 dBu unbalanced on each leg)



Specification	Conditions
<b>Power Output - AMD100</b>	
4 ohm	100 W 20 Vrms
8 ohm	100 W 28.28 Vrms
70 V	100 W
100 V	100 W
<b>Power Output - AMD200</b>	
4 ohm	200 W 28.28 Vrms
8 ohm	200 W 40 Vrms
70 V	200 W
100 V	200 W
<b>Power Consumption - AMD100</b>	
Green	9 W No control panel attached, 4 Ohm load
Idle	15 W No control panel attached, 4 Ohm load
1/8th Power	32 W No control panel attached, 4 Ohm load
1/3rd Power	60 W No control panel attached, 4 Ohm load
<b>Power Consumption - AMD200</b>	
Green	9 W No control panel attached, 4 Ohm load
Idle	15 W No control panel attached, 4 Ohm load
1/8th Power	48 W No control panel attached, 4 Ohm load
1/3rd Power	83 W No control panel attached, 4 Ohm load
<b>Thermal Dissipation - AMD100</b>	
Idle	15 W (51.18 Btu\Hr)
1/8th	18.86 W (64.32 Btu\Hr) Pink noise 12 dB crest factor, typical of program music just before clip
<b>Thermal Dissipation - AMD200</b>	
Idle	15 W (51.18 Btu\Hr)
1/8th	24.25 W (82.74 Btu\Hr) Pink noise 12 dB crest factor, typical of program music just before clip
<b>Power Source</b>	AC Mains (230 V to 240 V / 115 V to 120 V) or +24 VDC
<b>Recommended Operating Temp</b>	10° C to 45° C (50° F to 113° F)
<b>Recommended Operating Humidity</b>	5 % to 95 %
<b>Dimensions (w x d x h)</b>	430 mm x 330 mm x 44 mm (16.9" x 13" x 1.75") Not including rack ears or front panel knobs
<b>Net Weight - AMD100</b>	6 kg (13.2 lbs)
<b>- AMD200</b>	7 kg (15.4 lbs)
<b>Shipping Weight - AMD100</b>	8.9 kg (19.6 lbs)
<b>- AMD200</b>	9.4 kg (20.7 lbs)
<b>Shipping Dimensions (w x d x h)</b>	515 mm x 448 mm x 112 mm (20.3" x 17.6" x 4.4")



ENGINEERED BY AUSTRALIAN MONITOR

Address: 1 Clyde Street, Silverwater, Sydney NSW 2128 Australia.

Website: [www.australianmonitor.com.au](http://www.australianmonitor.com.au) International enquiries email: [international@australianmonitor.com.au](mailto:international@australianmonitor.com.au)