

R300

Zuma
high current DC power supply

strymon®



R300

Zuma
high current DC power supply

strymon

WELCOME TO ZUMA R300

Strymon power supplies are the highest horsepower, most technologically advanced effects pedal power supplies of their kind. Zuma R300 delivers clean, rock-steady power for your 9V, 12V and 18V effect pedals in a pedalboard friendly, expandable package, giving you room to grow.

Zuma R300's ultra-low profile design means that it can fit under just about any pedalboard. The enclosure features built-in threaded hardware and screws are included for easy pedalboard mounting without the need for additional mounting brackets.

ULTRA-LOW NOISE

Zuma R300's dual-stage topology, pre-regulated outputs, optically isolated feedback, and advanced multistage filtering allow your pedals to achieve their highest possible dynamic range.

Your new Zuma R300 power supply went through the same rigorous audio tests that all Strymon pedals go through. With Zuma R300, your pedals will sound the way they were designed to sound.

WORLD TOUR READY

Playing gigs all around the world? No need to purchase separate power supplies for your international tour.

Zuma R300 has automatic worldwide power compatibility built-in (when connected with the appropriate IEC cable). Whether you're on 100V, 120V, 240V, or any variation in between, Zuma R300 delivers clean, reliable power to all of your pedals.

SAFETY INFORMATION

BEFORE USING ZUMA R300, PLEASE BE SURE TO READ ALL OPERATING INSTRUCTIONS CAREFULLY.

- Read, follow, and keep these instructions.
- Heed all warnings.
- Do not expose this unit to liquids or moisture.
- Clean only with a dry cloth.
- Use in a ventilated, non-enclosed area.
- Do not install near any heat sources.
- Do not exceed 36W of total output power.
- Do not defeat the safety purpose of the polarized or grounding-type plug.
- Protect the power cord and pedal cables from being walked on or pinched.
- Use only attachments and/or accessories specified by Strymon.
- Unplug during lightning storms or when unused for long periods of time.
- Do not attempt to service this unit yourself, as opening or removing cover may expose you to dangerous voltage or other hazards. Refer all servicing to qualified Strymon service personnel.
- Servicing is required when the unit has been damaged in any way, such as a power cord or plug is damaged, liquid has been spilled or objects have fallen into the unit, the unit has been exposed to rain or moisture, does not operate normally, or has been dropped.
- Never push any object into the slots or openings on your unit enclosure.
- When connected to a power outlet, power is always flowing into your unit. To totally disconnect power, unplug the power cord.



The lightning flash, with an arrowhead symbol, within an equilateral triangle, is intended to alert the user to the presence of uninsulated "dangerous voltage" within the product's enclosure, that may be of sufficient magnitude to constitute a risk of electric shock.

The exclamation point within an equilateral triangle is intended to alert the user to the presence of important operating and maintenance (servicing) instruction in the literature accompanying the appliance.

TO REDUCE THE RISK ELECTRIC SHOCK DO NOT REMOVE COVER (OR BACK). NO USER-SERVICEABLE PARTS INSIDE. REFER SERVICING TO QUALIFIED SERVICE PERSONNEL. DO NOT EXPOSE THIS PRODUCT TO RAIN OR MOISTURE.

CONNECT YOUR PEDALS

PEDAL OUTPUTS: Connect up to five DC pedals with the included 5.5mm x 2.1mm pedal cables. Each output is dual-isolated for noise-free operation.

● 9V OUTPUTS

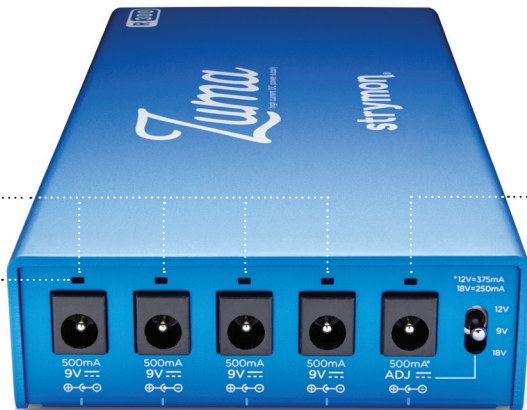
Four outputs provide 500mA of available current at 9V and have center negative polarity.

● LED INDICATOR

Each output features an LED indicator. LED illuminates green when a pedal cable is plugged in. LED will turn off if cable is unplugged, or the current draw on the output exceeds the maximum amount available.

● ADJUSTABLE OUTPUT

One output provides selectable 9V, 12V, or 18V DC, each with center negative polarity. This output provides 500mA of available current at 9V, 375mA at 12V, and 250mA at 18V. Make sure this output is set to 9V before connecting your Strymon pedals.



Check with each pedal manufacturer for recommended voltage, polarity, and required current. If a pedal requires more than 500mA of current, or voltages other than 9, 12 or 18, please find details on those configurations here: strymon.net/support/zuma-r300

Use non-adjustable outputs first to power your Strymon pedals. If using adjustable outputs with Strymon pedals, make sure these outputs are set to 9V.



ZUMA R300 IS EXPANDABLE



IS YOUR PEDALBOARD GROWING?

Zuma R300 is part of a truly expandable, modular power distribution system that can grow with your pedalboard. Gain more outputs by linking Ojai units (sold separately) to the 1500mA 24V jack.

Learn more about linking Ojai units to your Zuma R300: strymon.net/support/zuma-r300

Zuma R300 provides a huge amount of power. You can link together as many as 5 Ojai units powered from one Zuma R300, powering up to 25 additional effects pedals (depending on the total current requirements for the pedals). While it's unlikely that anyone would go to such extremes, we wanted to ensure that the Strymon power supply family delivers maximum flexibility and expandability. A much more likely scenario would be to link 1 or 2 Ojai units to your Zuma, powering a combination of up to 15 high and low current draw pedals.

TO CONNECT OJAI UNITS TO YOUR ZUMA R300:

1. Power your Zuma R300 with the included IEC cable (plugged into the wall).
2. Connect the 24V OUT on your Zuma R300 to the 24V IN on an Ojai using its included EIAJ-05 cable.
3. Link additional Ojai units in the same manner.

WHAT'S IN THE BOX

- Zuma R300 high-current DC power supply
- One (1) IEC cable (region-specific)
- Five (5) 2.1mm x 5.5mm pedal cables (18" long, straight to right angle connectors)
- Two (2) #4 (3/8") wide pan head screws for mounting Zuma R300 to your pedalboard
- Quick Start Guide
- Drill Template & Strymon sticker

SPECIFICATIONS

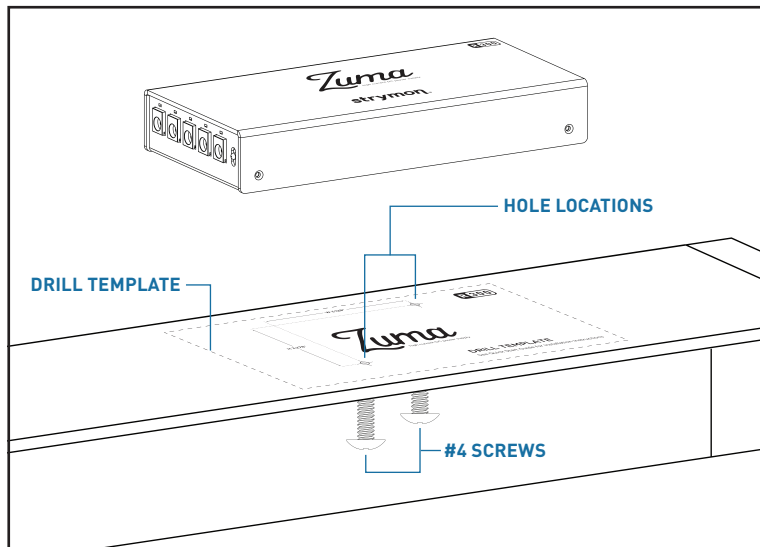
- Five (5) isolated custom transformers deliver clean, consistent power
 - Four (4) 9V DC, 500mA, center-negative outputs
 - One (1) selectable DC center-negative output offers 9V (500mA), 12V (375mA), or 18V (250mA) options
- Zuma R300 delivers a maximum of 36W
- Worldwide power compatibility ensures no-hassle international touring
- Energy efficient, compact design
- Lightweight anodized midnight blue aluminum chassis
- Designed and built in the USA

PEDALBOARD MOUNTING:

Zuma R300 features built in threaded hardware for easy mounting to the top or bottom of most pedalboards. Refer to the Mounting Instructions on the back of this manual and included Drill Template. The Drill Template can also be downloaded from here: strymon.net/support/zuma-r300.

>> Have any questions? strymon.net/support/zuma-r300 <<

ZUMA R300 MOUNTING INSTRUCTIONS



1 CHOOSE YOUR MOUNTING LOCATION

Tape the **Drill Template** (included in this box) logo side up in the location you want to install your Zuma R300.

This illustration shows mounting to the top of your pedalboard. To mount Zuma R300 to the bottom of your pedalboard, turn the pedalboard over before placing the Drill Template logo side up in the location you want to install your Zuma R300.

2 DRILL HOLES

Drill through the two marked **hole locations** with a 1/8" (3mm) bit.

3 ATTACH ZUMA R300

Place the Zuma R300 over the holes. Install from the reverse side of your pedalboard using the provided **#4 screws** (3/8").

>> Have any installation questions? strymon.net/support/zuma-r300 <<