



SH HORN SERIES

SH10 • SH15 • SH30



SH10



SH15



SH30

The Australian Monitor SH series horns are both constant voltage and low impedance, designed for paging and background music systems requiring vocal clarity and sound projection.

Constructed from tough ABS plastic with an Aluminium flare, the SH horns are designed for both indoor and outdoor use with an IP66 rating.

The SH Horns come in 10W, 15W and 30W models



FEATURES

- 10, 15 and 30 Watt models
- 100V, 70V and 8Ω Input
- Adjustable power tapings to 100%, 50%, 25%, 12.5% and 8Ω
- Supervisory capacitor for evac monitoring
- Aluminium flare with UV stabilised ABS housing
- IP66 construction

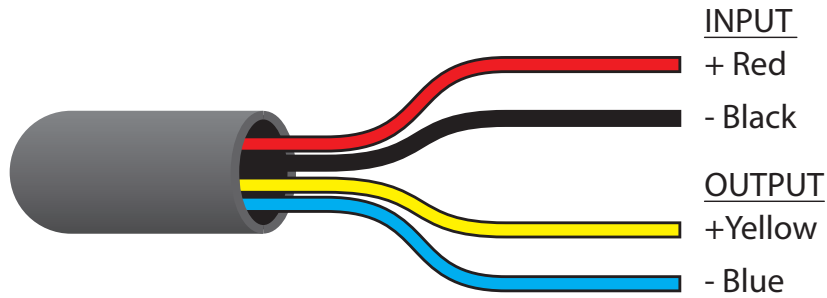
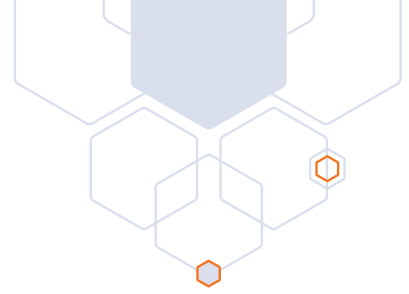
OUTPUT	POSITION
100%	1
50%	2
25%	3
12.5%	4
8Ω	5

Rear Panel - Horn Tap Selector

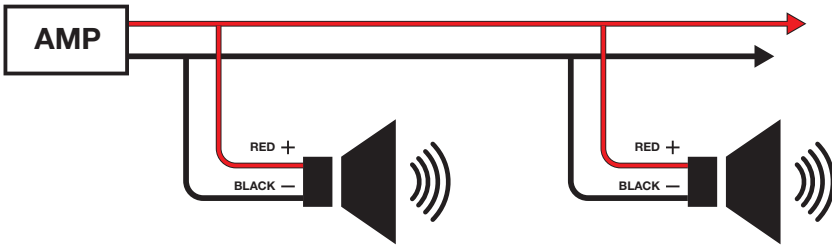


SPECIFICATIONS

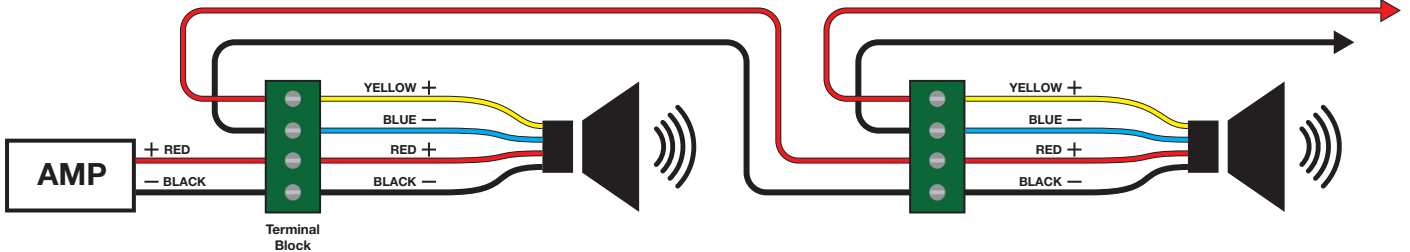
MODEL	SH10	SH15	SH30
POWER (CONTINUOUS, PROGRAM)	10W, 20W	15W, 30W	30W, 60W
SENSITIVITY (1W/1M) HALF SPACE	107dB	109dB	111dB
MAX SPL (CONTINUOUS, PROGRAM @ 1M)	117dB/120dB	121dB/124dB	126dB/129dB
FREQUENCY RESPONSE (-10dB)	350Hz - 9.5kHz	350Hz - 9.5kHz	350Hz - 9.5kHz
TAPPINGS	100V: 10W (1k Ω), 5W (2k Ω), 2.5W (4k Ω), 1.25W (8k Ω) 70V: 5W (1k Ω), 2.5W (2k Ω), 1.25W (4k Ω), 0.625W (8k Ω) 8Ohm: 10W	100V: 15W (666 Ω), 7.5W (1k3 Ω), 3.8W (2k6 Ω), 1.9W (5k2 Ω) 70V: 7.5W (666 Ω), 3.8W (1k3 Ω), 1.9W (2k6 Ω), 0.95W (5k2 Ω) 8Ohm: 15W	100V: 30W (333 Ω), 15W (666 Ω), 7.5W (1k3 Ω), 3.8W (2k6 Ω) 70V: 15W (333 Ω), 7.5W (666 Ω), 3.8W (1k3 Ω), 1.9W (2k6 Ω) 8Ohm: 30W
SUPERVISOR CAPACITOR	Yes	Yes	Yes
CONNECTION	4 core cable		
COMPRESSION DRIVER	34mm	34mm	40mm
CONSTRUCTION	Aluminium Flare, UV stabilised ABS housing, powder coated mild steel bracket		
IP RATING	IP66		
FINISH	White (RAL9010)		
OPERATING TEMPERATURE	-20 °C to +55 °C		
PRODUCT DIMENSIONS (W X D)	177 x 196mm	205 x 230mm	249 x 280mm
PRODUCT WEIGHT	1.4kg	1.6kg	2.0kg
SHIPPING DIMENSIONS (W X D X H)	200 x 200 x 210mm	220 x 220 x 245mm	275 x 275 x 290mm
SHIPPING WEIGHT	1.7kg	1.8kg	2.5kg



Parallel Connection



Loop-Through Connection



Use the selector switch on the rear of the speaker to select the required power tapping. Each position corresponds to the power shown in the labels below.

AUSTRALIAN MONITOR

SH10
SPL 1W/1M 107dB

IMPEDANCE	70V RATING	100V RATING	POSITION
8k Ω	0.625W	1.25W	1
4k Ω	1.25W	2.5W	2
2k Ω	2.5W	5W	3
1k Ω	5W	10W	4
8 Ω			5

IP66 RATED
Made in India

INPUT RED + OUTPUT YELLOW +
BLACK - BLUE -

AUSTRALIAN MONITOR

SH15
SPL 1W/1M 109dB

IMPEDANCE	70V RATING	100V RATING	POSITION
5k Ω	0.95W	1.9W	1
2k Ω	1.9W	3.8W	2
1k Ω	3.75W	7.5W	3
667 Ω	7.5W	15W	4
8 Ω			5

IP66 RATED
Made in India

INPUT RED + OUTPUT YELLOW +
BLACK - BLUE -

AUSTRALIAN MONITOR

SH30
SPL 1W/1M 111dB

IMPEDANCE	70V RATING	100V RATING	POSITION
2k Ω	1.9W	3.8W	1
1k Ω	3.75W	7.5W	2
667 Ω	7.5W	15W	3
334 Ω	15W	30W	4
8 Ω			5

IP66 RATED
Made in India

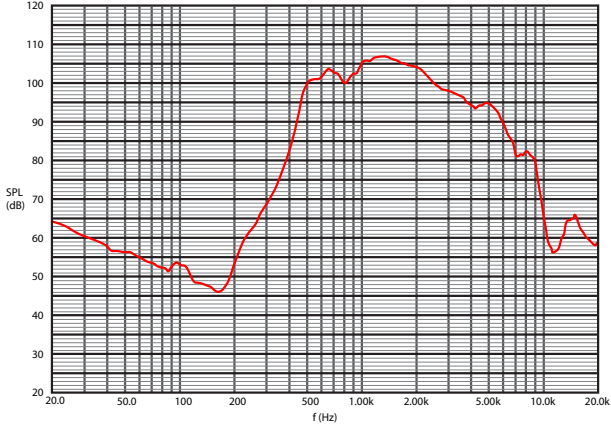
INPUT RED + OUTPUT YELLOW +
BLACK - BLUE -



 POLAR AND FREQUENCY RESPONSES

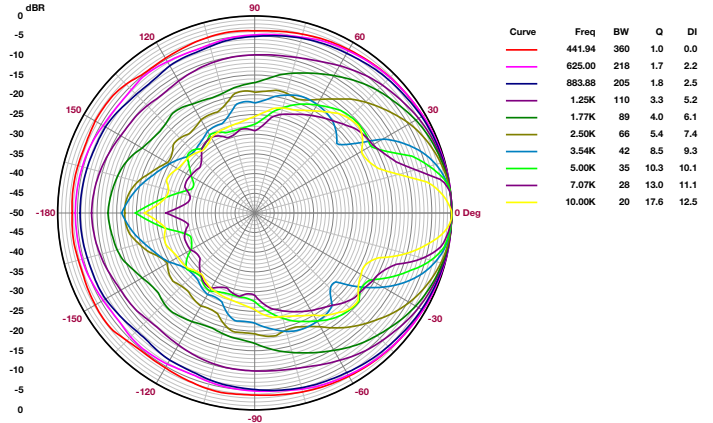
SH10

FREQUENCY RESPONSE AT HALF SPACE



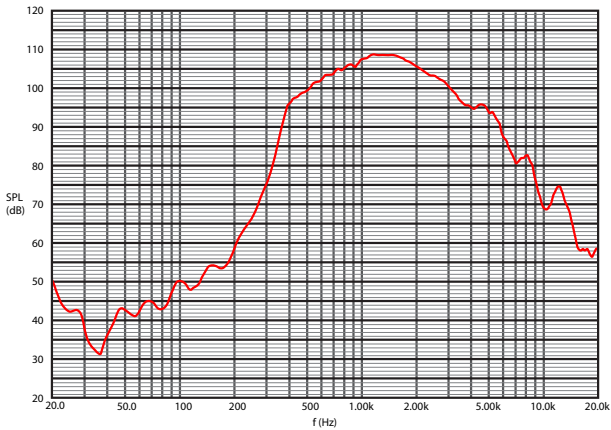
SH10

RATIO VS ANGLE



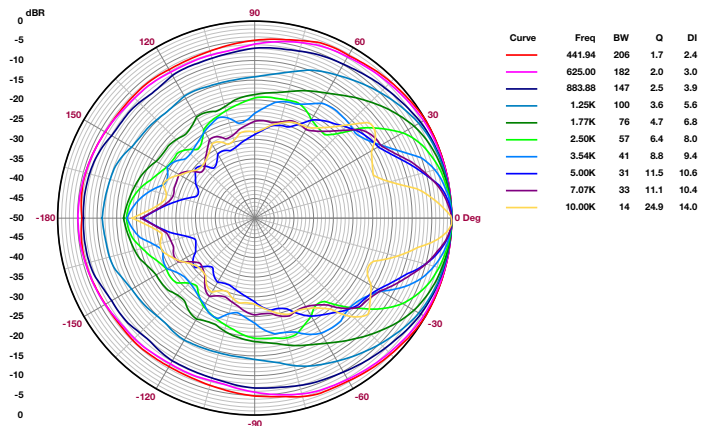
SH15

FREQUENCY RESPONSE AT HALF SPACE



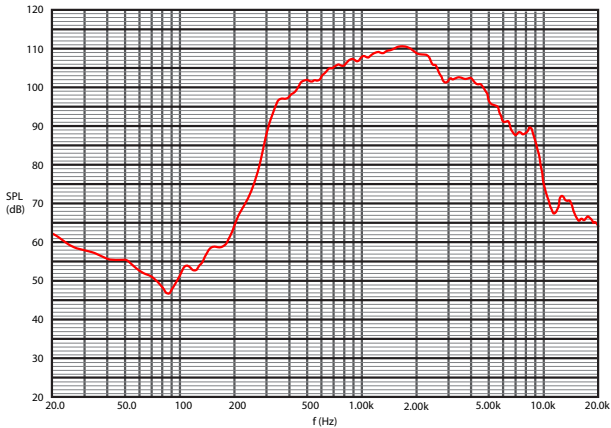
SH15

RATIO VS ANGLE



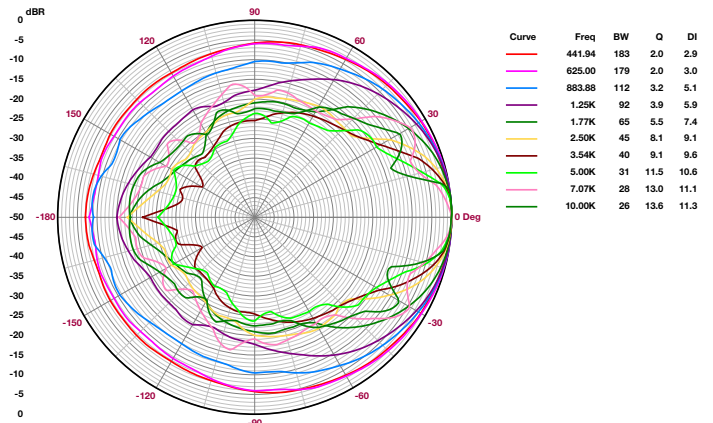
SH10

FREQUENCY RESPONSE AT HALF SPACE



SH30

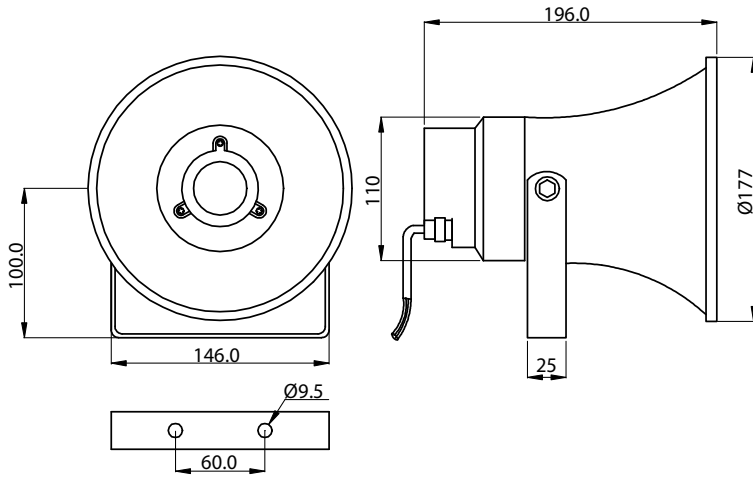
RATIO VS ANGLE



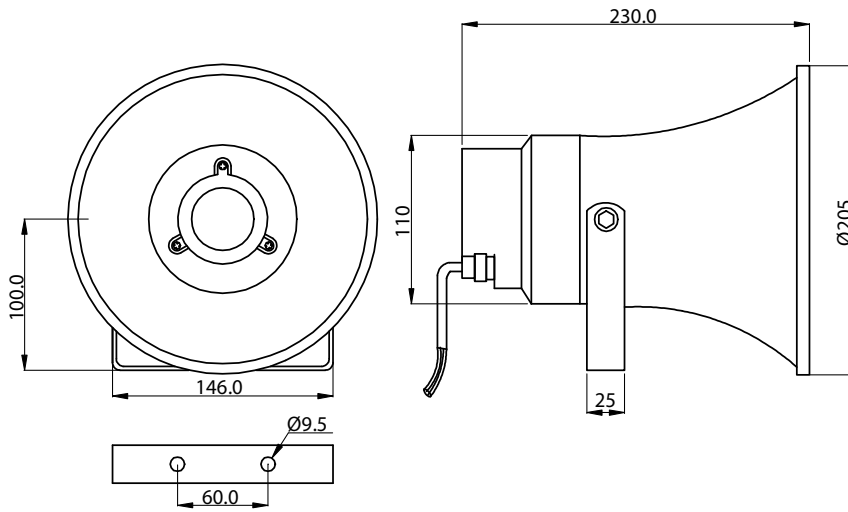


LINE DRAWINGS

SH10



SH15



SH30

