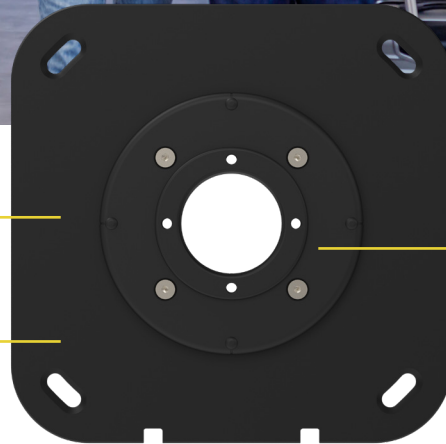




Mount onto anyWall or solid surface

Ships with PoE+ Network Adapter, housed inWall the Mount Assembly

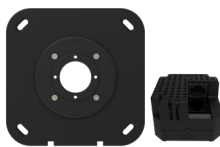


Permanently Installs any IPOINT CONNECT Case

Mount iPad Permanently on a Wall, Or any Solid Surface.

Meet IPOINT WallMount, the discreet mounting accessory for IPOINT's CONNECT Case. Combine a WallMount with any IPOINT CONNECT Case to utilize the simplicity and protection of the Case-Enclosure and transform it into a fixed mount. WallMount is great for mounting in front of conference rooms, meeting spaces or along hallways ways where signage or control points for automation are required.

Wall Mount fits over any 1G wall box worldwide and retains power & data components on the back of the mount itself. WallMount ships with the IPOINT POE+ Network Adapter providing POE+ Power and 100Mbps Ethernet LAN to iPad. (Works with USB-C iPads only). WallMount is part of IPOINT's CONNECT MOUNT line of fixed mounting accessories.



+



=



WALLMOUNT & POE+ NETWORK ADAPTOR

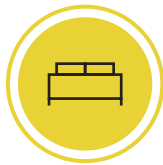
SKU 72356 | MSRP \$175

CONNECT CASE

MSRP \$125

WALLMOUNT SYSTEM

MSRP \$300



HOTEL

Wall Signage
Automation Control



CORPORATE

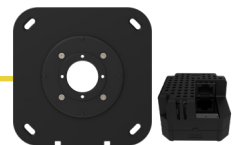
Wall Signage



RESTAURANT

Wall Signage

ELECTRONICS ACCESSORIES

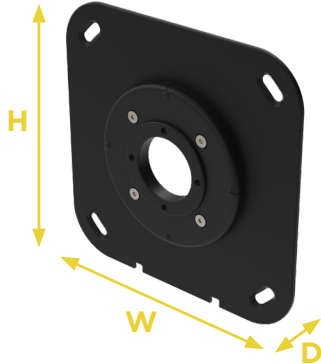


POE+ INJECTOR

SKU 72106 | MSRP \$75

WallMount ships with the POE+ Network Adapter, providing PD Power up to 18W output and 100 Mbps LAN Network. You can power the system from any POE+ compatible switch or you can use the optional POE+ Injector, sold separately.

PRODUCT DETAILS



WALLMOUNT

SKU 72356 | MSRP \$175

Height - 5" (126.5 mm)
Width - 5" (126.5 mm)
Depth - 7/8" (21.4 mm)
Weight - 0.5 lbs (0.23 kg)



FCC PART 15B CLASS B
AS/NZS 60950
AS/NZS CISPR22
EN 55032:2015+A11:2020
BS EN 55035:2017+A11:2020

IN THE BOX

WallMount, IPORT CONNECT USB-C Cable, POE+ Network Adapter, Mounting Hardware, CONNECT Case Mounting Module, IPORT Security Tool, and Documentation



CONNECT CASE

MSRP \$125

SKU 72380 iPad mini 6
SKU 72396 iPad 10.9-inch 10th gen
SKU 72381 iPad Air | Pro 11-inch
SKU 72382 iPad Pro 12.9-inch



FCC PART 15B CLASS B
AS/NZS 60950
AS/NZS CISPR22
EN 55032:2015+A11:2020
BS EN 55035:2017+A11:2020

INSTALLATION



WATCH THE
INSTALL VIDEO

POE+ Network Adapter
installed into WallMount

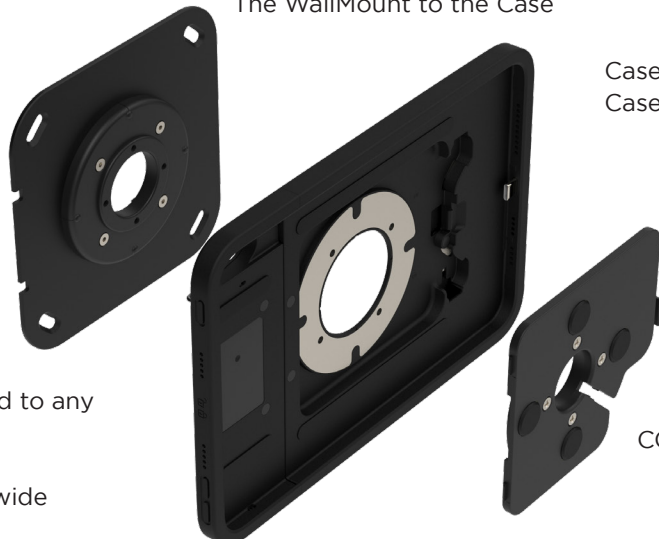
Cable is routed through
The WallMount to the Case

Case Mounting Module screws
Case to WallMount

WallMount can be screwed to any
wall or solid surface

Covers any 1G box, worldwide

CONNECT Case Retains iPad



CONNECT MOUNT FAMILY

Choose from four different mounts for nearly any installation scenario. All CONNECT Mounts work with CONNECT Case, creating a minimalist and functional CONNECT MOUNT system.



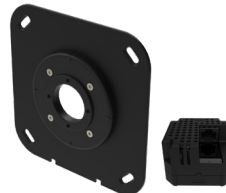
**WEDGEMOUNT
& CABLE**

SKU 72385 | MSRP \$75



**VESAMOUNT
& CABLE**

SKU 72393 | MSRP \$75



**WALLMOUNT &
POE+ NETWORK
ADAPTER**

SKU 72356 | MSRP \$175



**SIDEMOUNT &
POE+ NETWORK
ADAPTER**

SKU 72384 | MSRP \$200