

I PORT CONNECT PRO

RUGGED CASE



72305 - CONNECT PRO Rugged Case 10.2 - Black

RUGGED CASE

IPOINT CONNECT PRO RUGGED Case Install Manual

Thank you for purchasing the all new IPOINT CONNECT PRO Rugged Case. We hope you enjoy this revolutionary new system and if at any time you need more assistance please contact IPOINT Tech Support via Online chat or through our help desk.

Whats in box:

- 1 - IPOINT CONNECT RUGGED Case
- 1 - IPOINT Security tool - 1.5mm hex key
- 1 - HandStrap
- 1 - Info Card

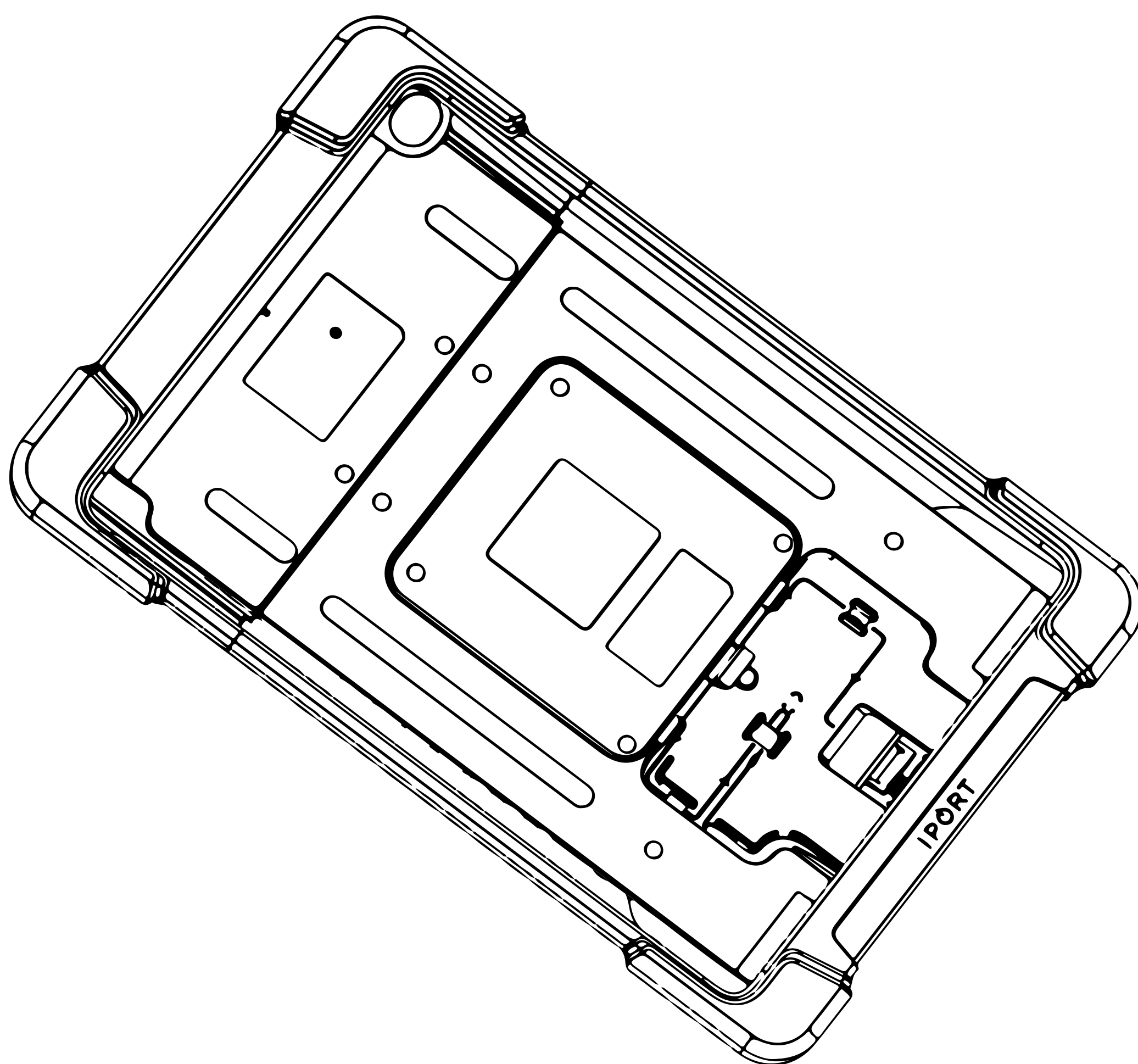
Product Info Page - <https://www.iportproducts.com/Product/72305>

Glossary of Terms:

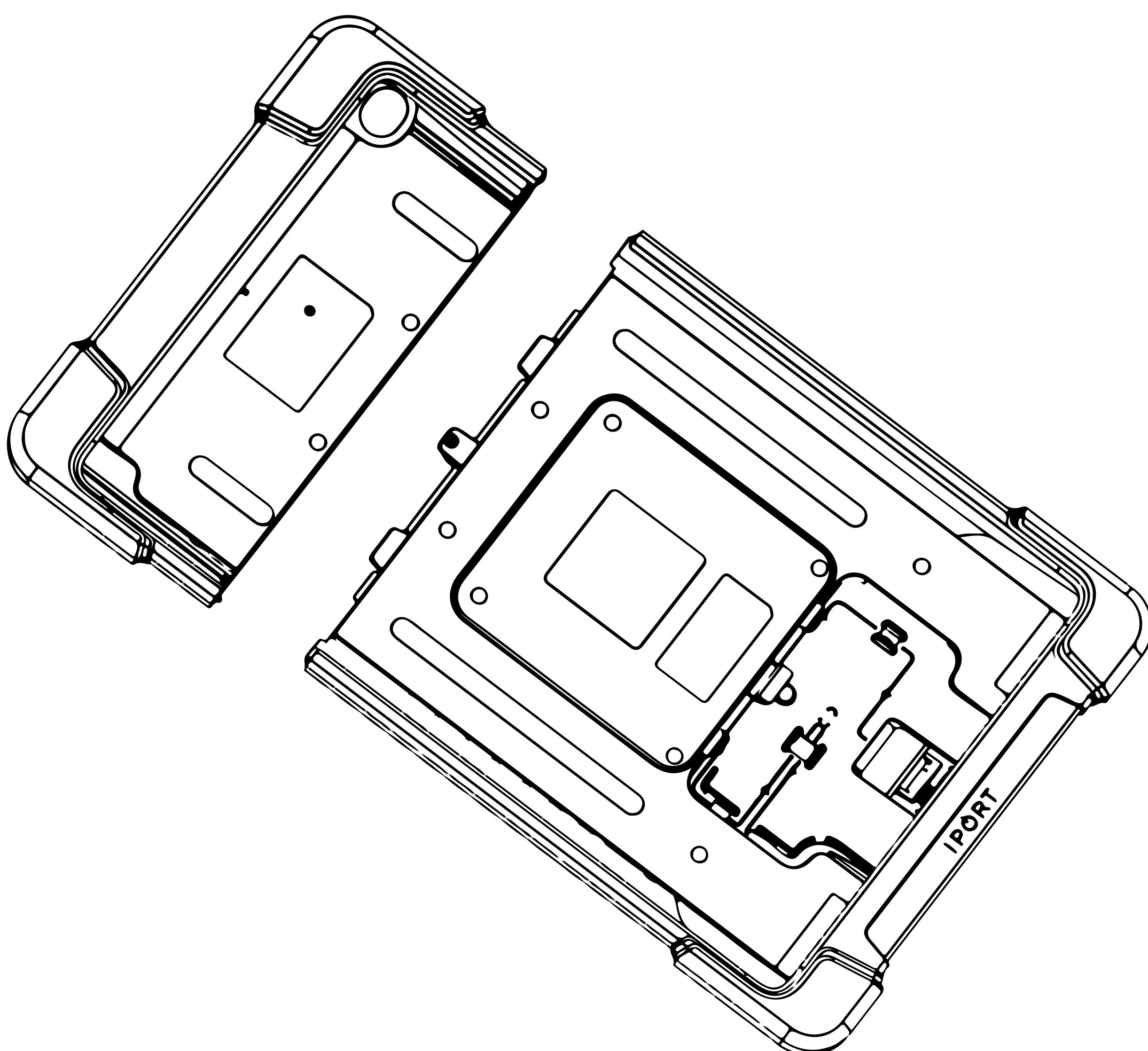
- **Case** - The fully assembled CONNECT PRO Case.
- **Case Top** - The short removable portion of the chase including the locking portion of the Case.
- **IPOINT Security Tool** - The orange handled 1.5mm hex tool used for locking and unlocking IPOINT Products.
- **Station Interface Module** - The main electronics portion of the new IPOINT CONNECT Platform consisting of the round electronic components.
- **Dock Interface Module** - The secondary linear electronics found on the IPOINT CONNECT Case.

RUGGED CASE

- 1. Remove Case from the box and place on a table.**

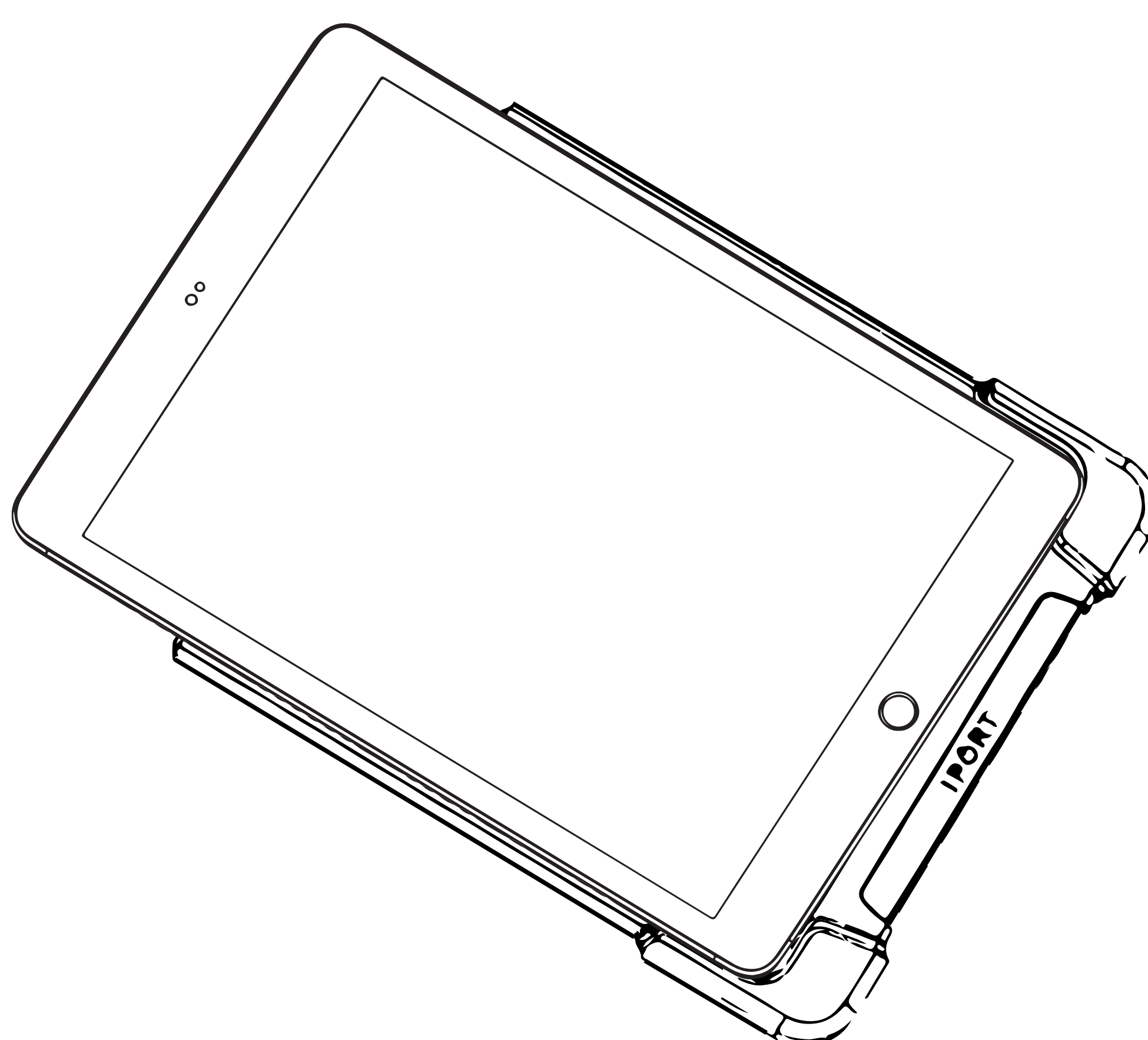
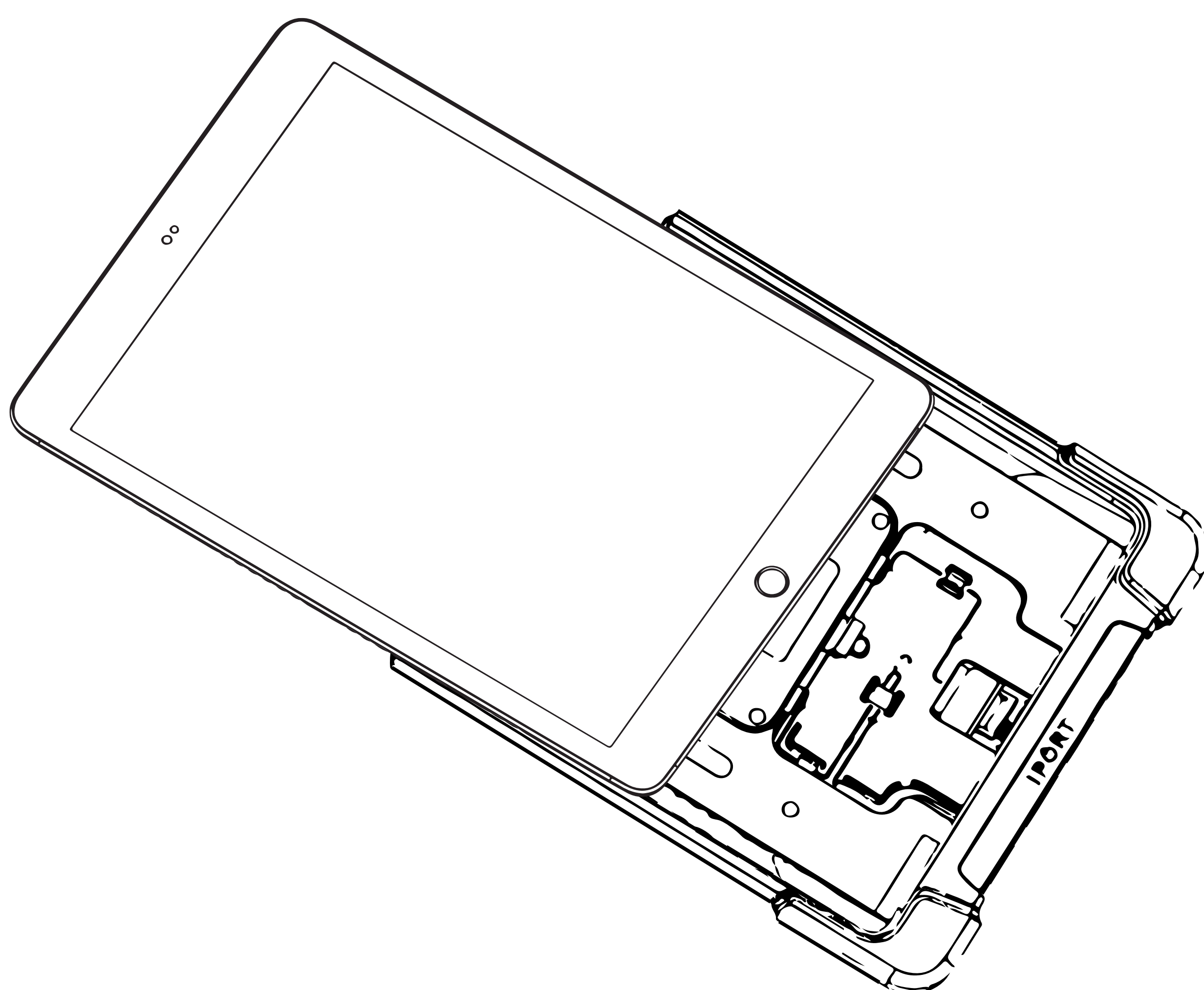


- 2. Remove the short Case Top.**



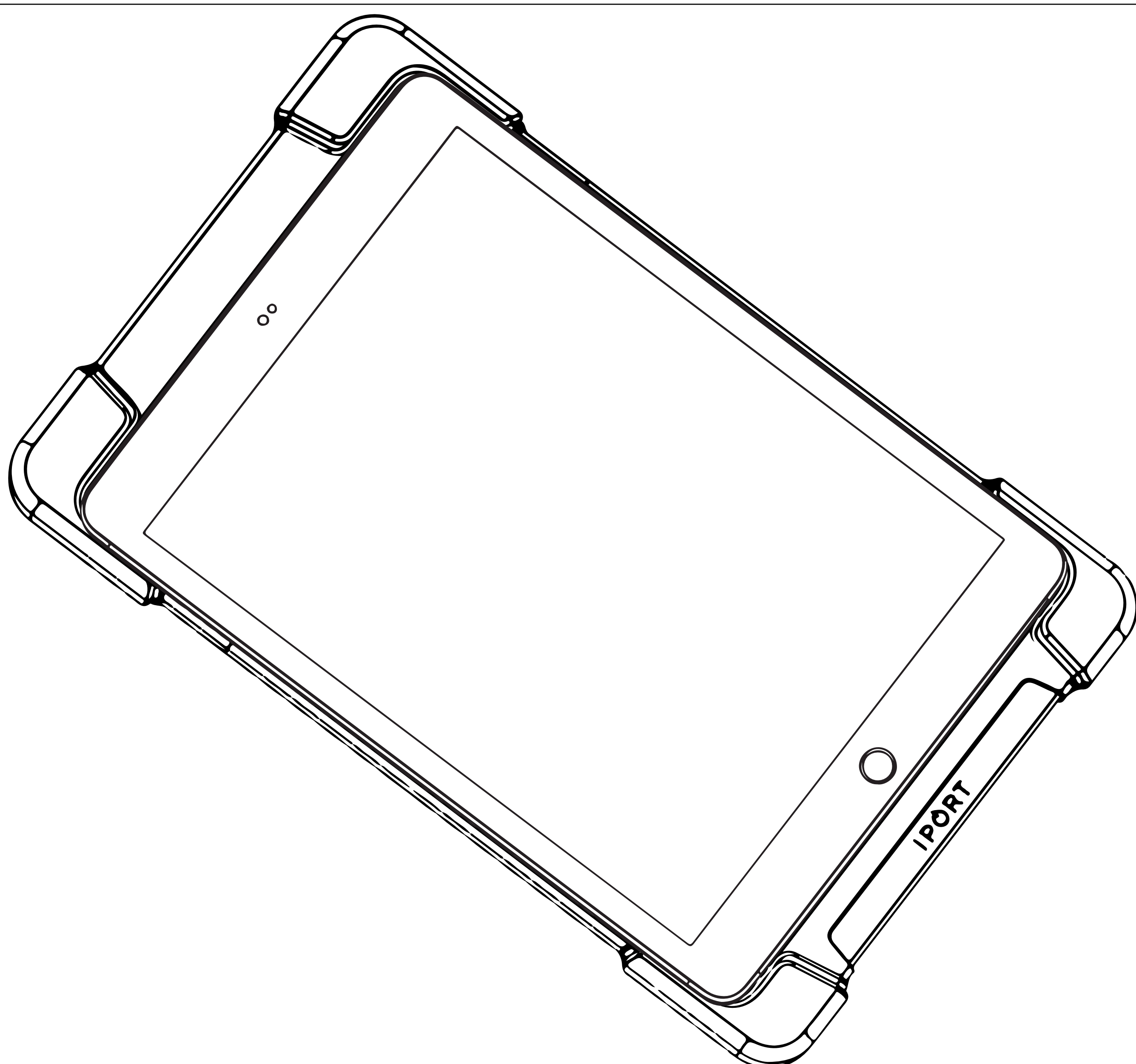
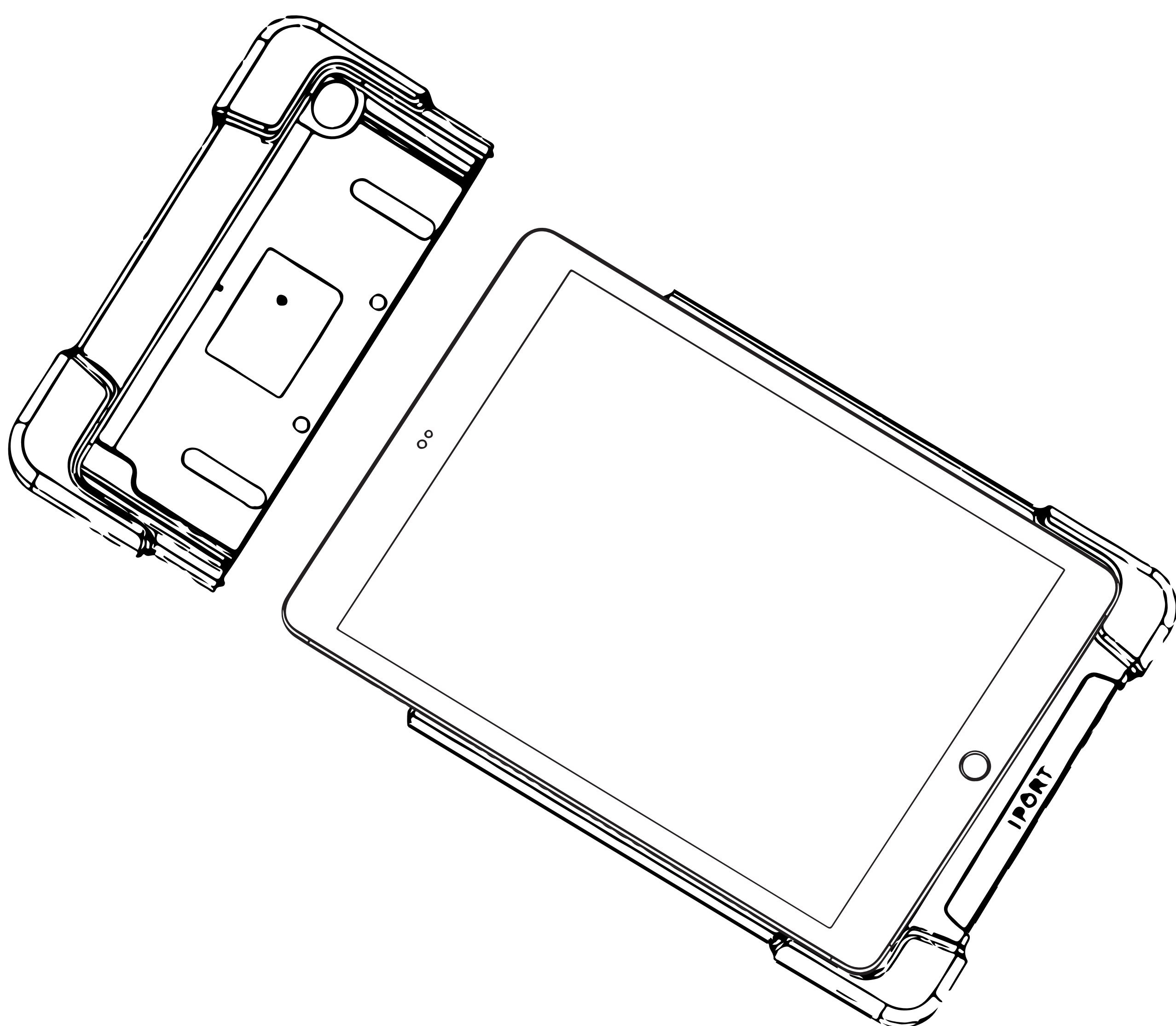
RUGGED CASE

- 3. Slide iPad into the Case making sure the lighting cable is snugly inserted into the iPad.**



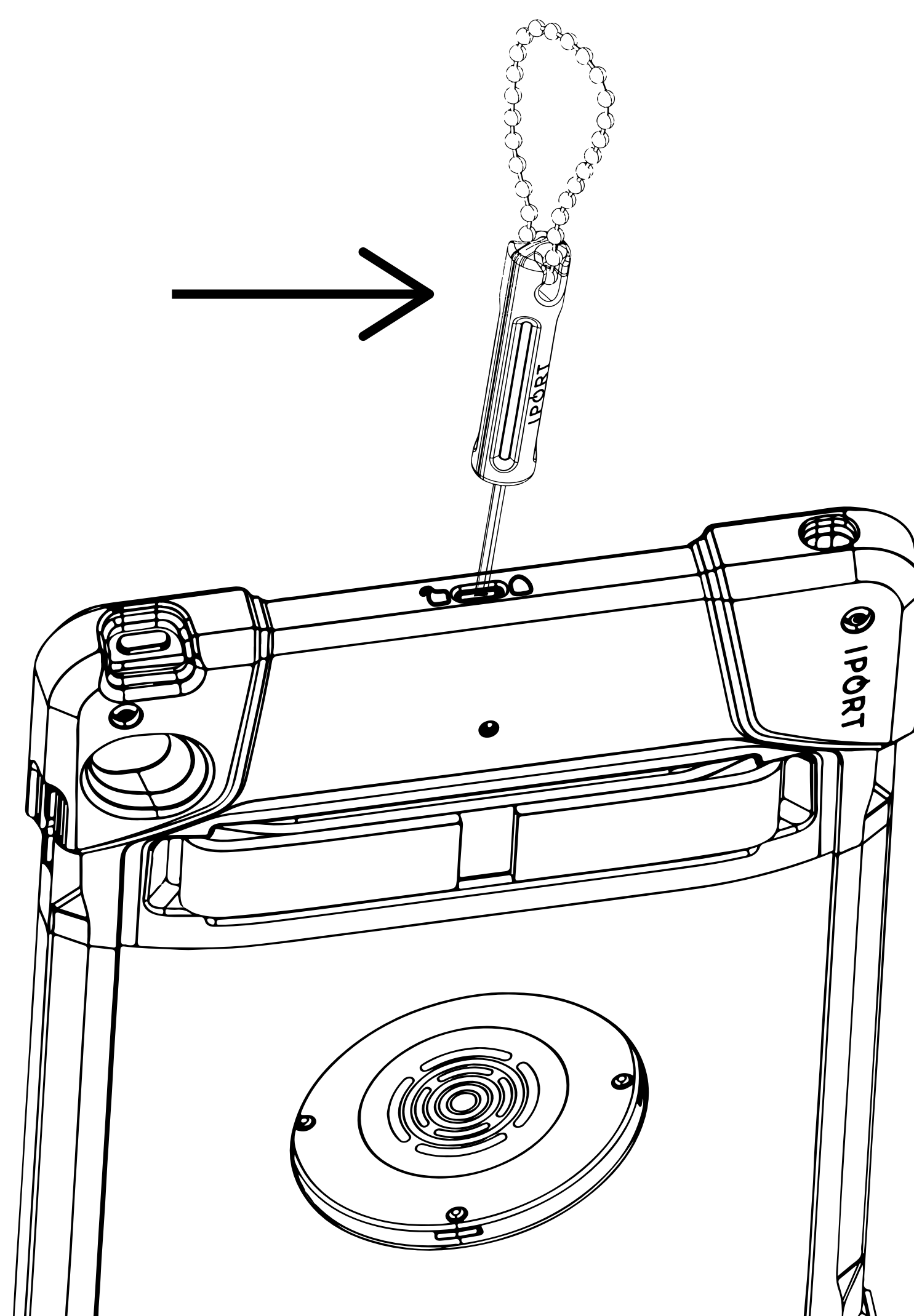
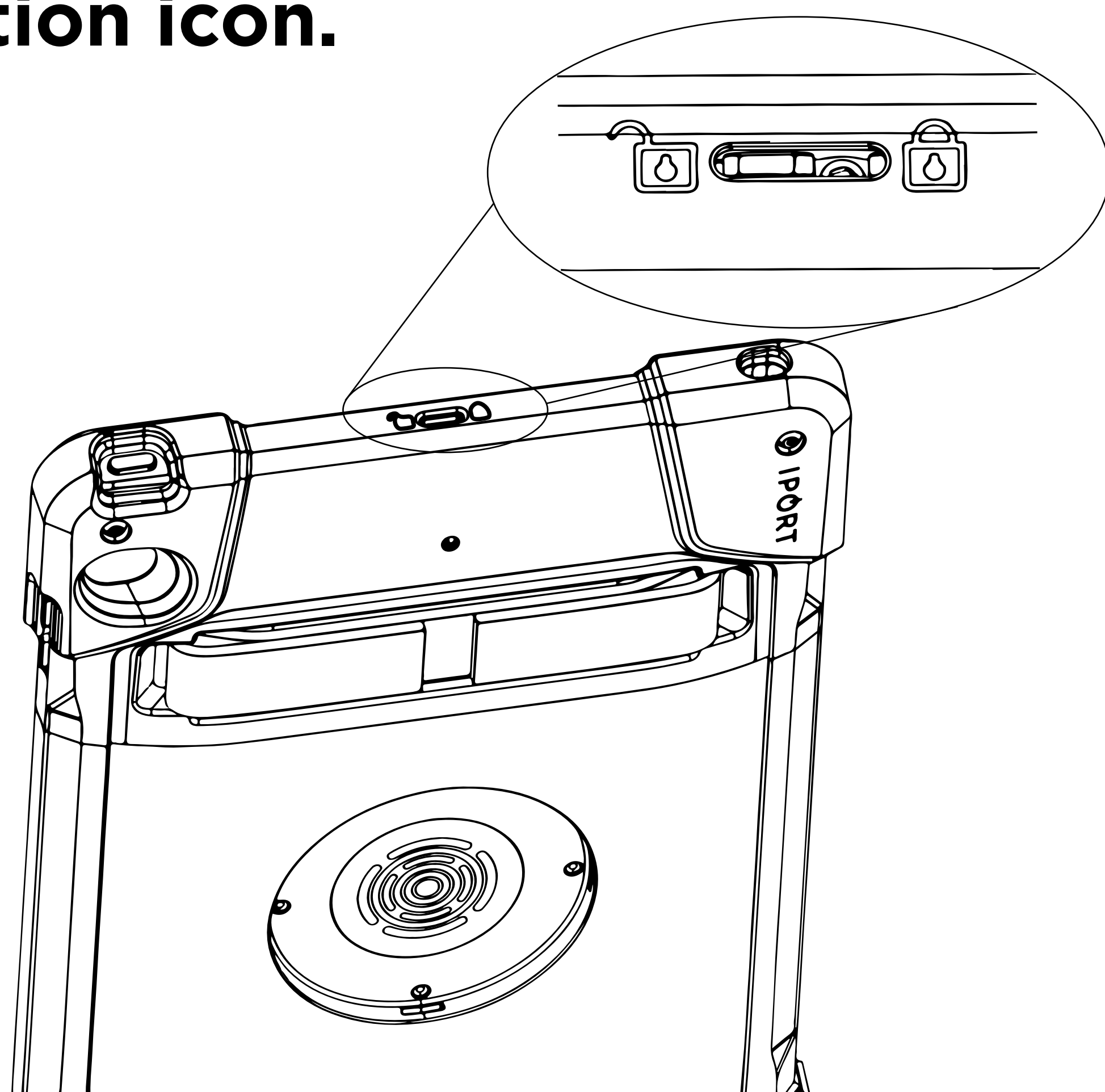
RUGGED CASE

- 4. Reinstall the Case top onto the lower half of the Case and iPad.**



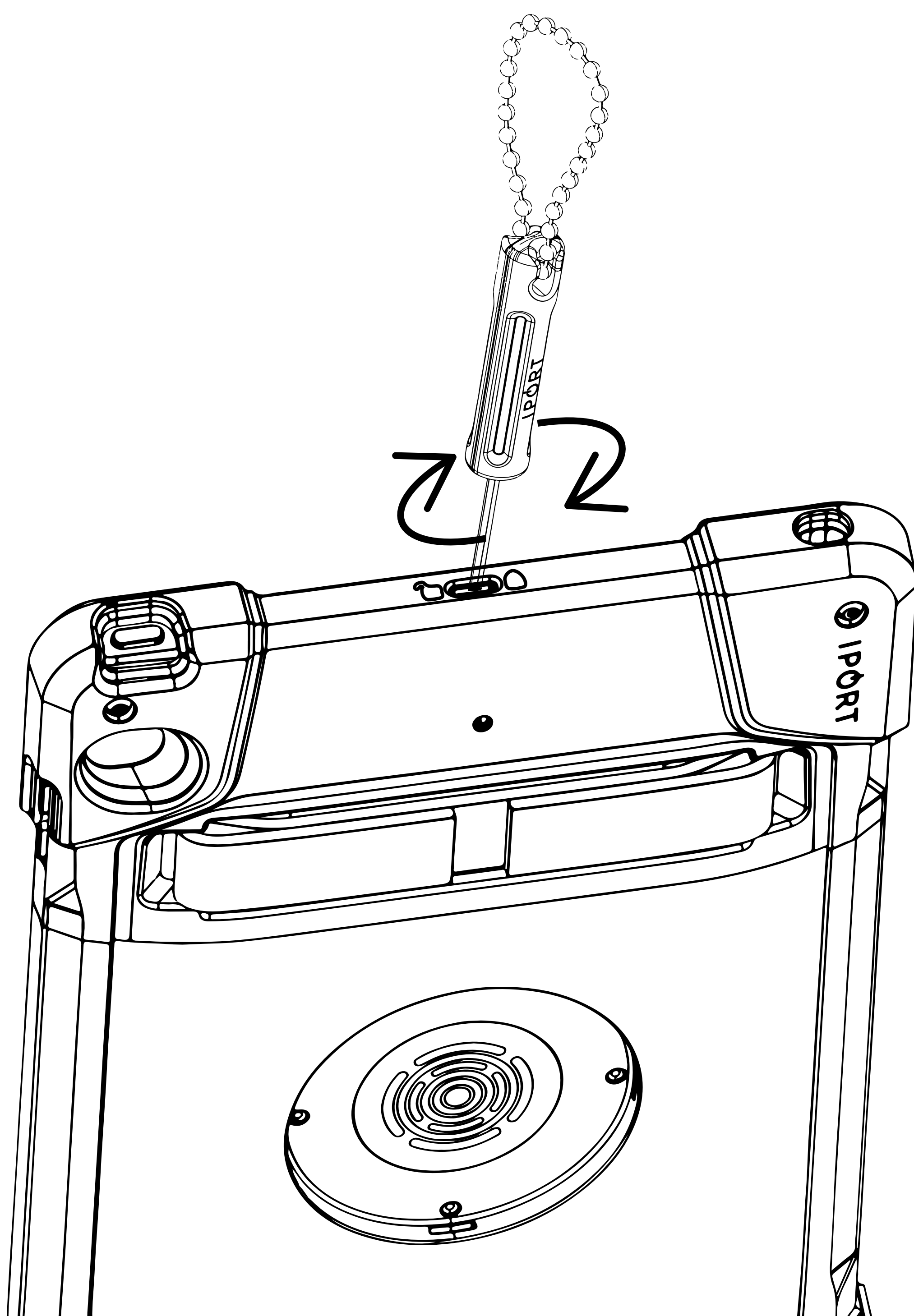
RUGGED CASE

5. Use the provided IPORT tool, insert the tool into the top of the case and slide the tool towards the lock position icon.



RUGGED CASE

- **For added security rotate the IPORT tool clockwise to tighten the setscrew in place holding the lock secure.**



IPOINT CONNECT PRO

RUGGED CASE

6. Place the IPOINT CONNECT Pro RUGGED Case onto a BaseStation WallStation or Multi-dock for charging.

