

4

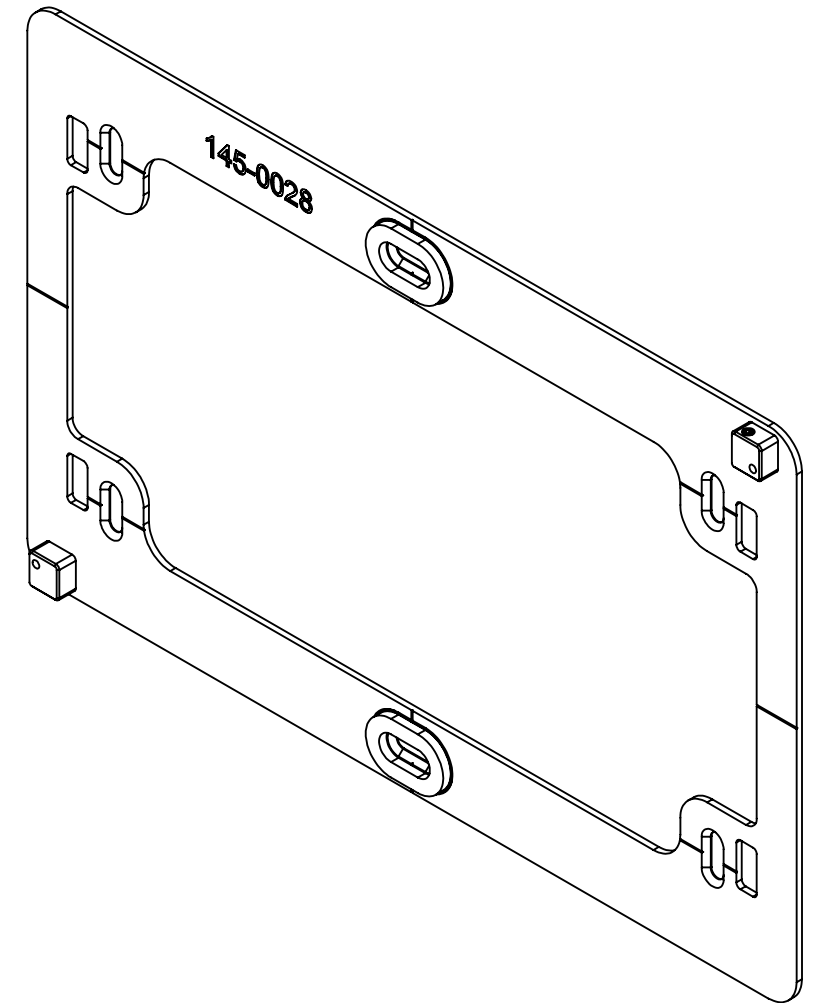
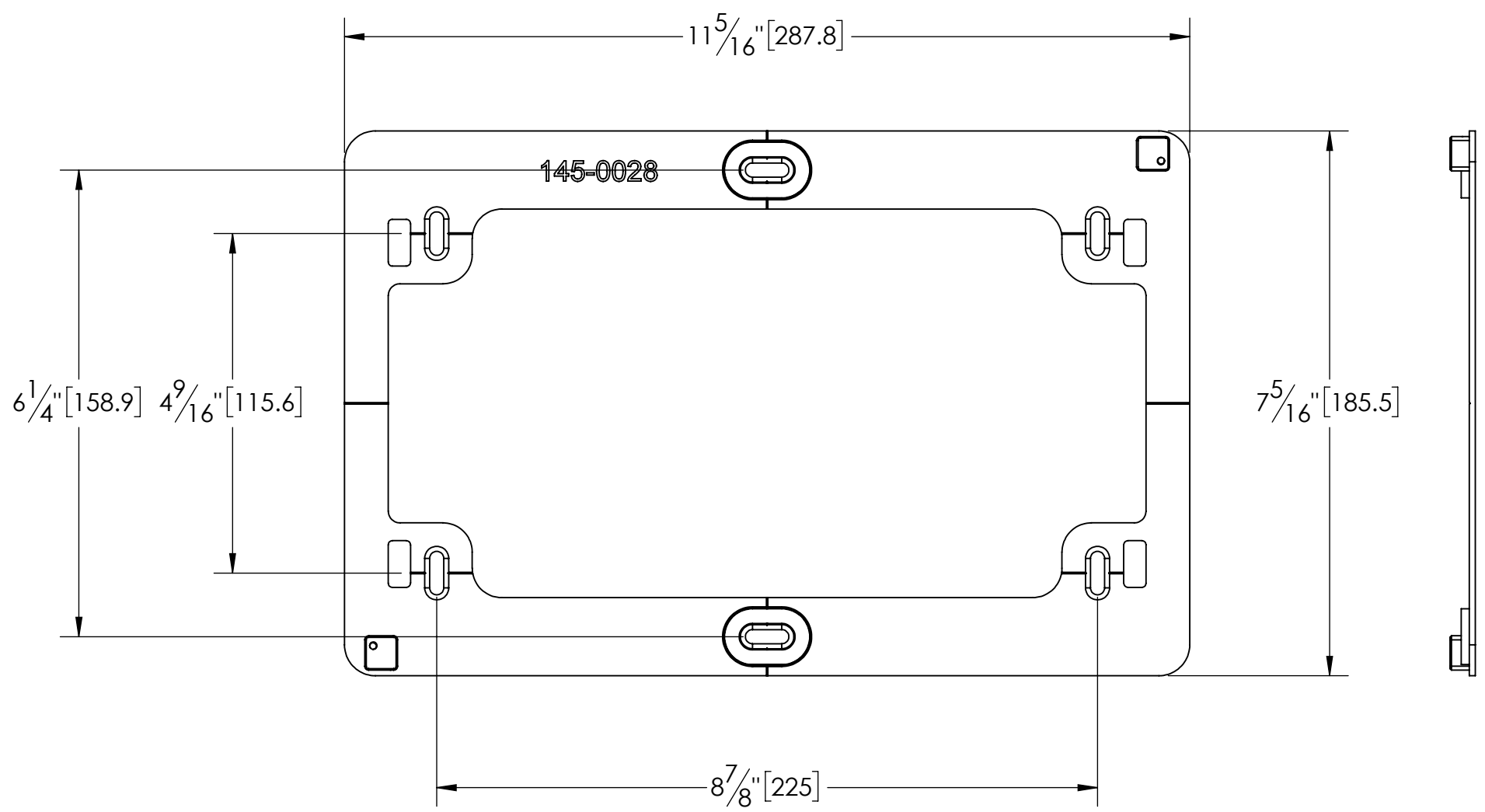
3

2

1

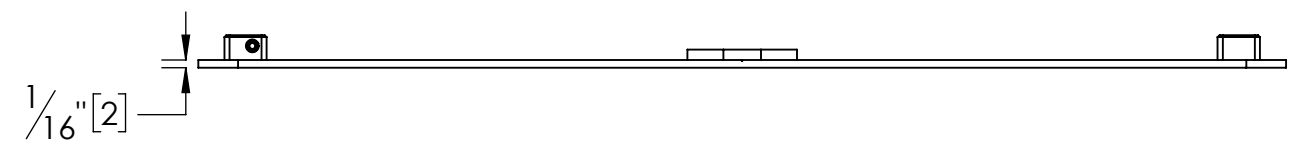
B

B



A

A



4

3

2

1

METRIC/INCHES	a DANA INNOVATIONS COMPANY		
DESIGNED IN SAN CLEMENTE, CALIFORNIA BY IPORT	NAME BRACKET SM BEZEL PRO 11-AIR 10.9		
<small>NOTICE OF PROPRIETARY INFORMATION: THE INFORMATION CONTAINED HEREIN IS THE PROPRIETARY PROPERTY OF DANA INNOVATIONS. THE POSSESSOR AGREES TO THE FOLLOWING: 1. TO MAINTAIN THIS DOCUMENT IN CONFIDENCE 2. NOT TO REPRODUCE OR COPY IT 3. NOT TO REVEAL OR PUBLISH IT IN WHOLE OR IN PART 4. ALL RIGHTS RESERVED</small>	SIZE	SKU	REV
	B	70755 70756	A
SCALE: 1:2 WEIGHT:		SHEET 1 OF 1	