

Cleaning and Maintenance:

1. The HideAway fascia can be cleaned with a mild detergent, water and a soft cloth to wash off any marks. Rinse and dry with a clean cloth or towel.
2. Refer to your Grandview Motorised Screen Instructions for details on cleaning your screen surface.

Warranty: 12 Months

Happy Viewing!

Imported and distributed in Australia by

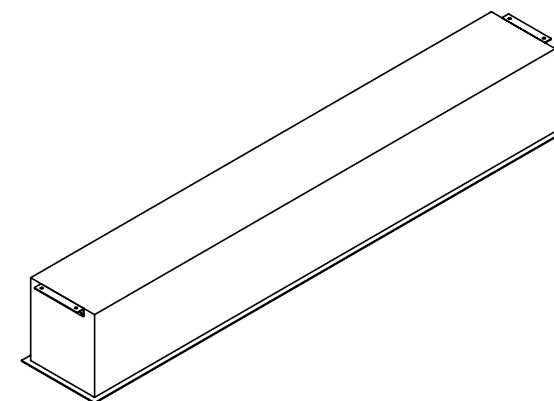


ambertech.com.au

amber.co.nz

HIDEAWAY

USER MANUAL



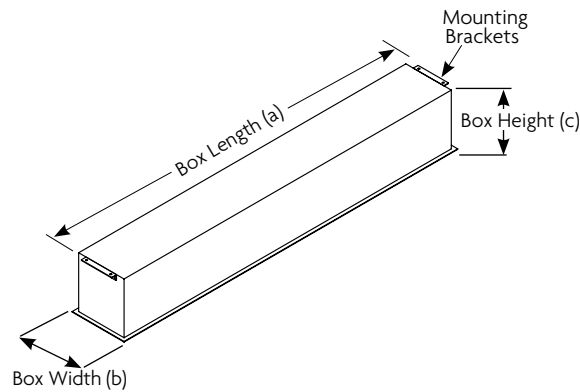
MODELS: HH3 / HH4 / HH5 / HH6 / HH7



ambertech.com.au

amber.co.nz

Congratulations on purchasing a HideAway



Step 1

You will need a cutout in your ceiling - depending on the size of your HideAway (double check the size first, see table below)

Product Code	External Box W x D x H (mm)	Trim Flange W x D (mm)	Trim Slot L x W (mm)	Shipping Size L x W x H (mm)	Gross Weight (Kg)	To Suit Grandview IP Screens
HH3	2560 x 220 x 160	2604 x 266	2400 x 50	2900 x 380 x 260	51	GRIP084V, GRIP100V, GRIP085H, GRIP092H, GRIP095H, GRIP094C, GRIP103C
HH4	2975 x 220 x 160	3019 x 266	2815 x 50	3250 x 430 x 270	62	GRIP120V, GRIP102H, GRIP112H, GRIP110C
HH5	3360 x 295 x 250	3406 x 340	3200 x 90	3600 x 450 x 270	85	GRIP120H, GRIP130H, GRIP120C, GRIP130C
HH6	3750 x 300 x 250	3796 x 346	3590 x 90	3880 x 455 x 285	93	GRIP140H, GRIP150V, GRIP140C, GRIP150C, GRIP150H
HH7	5006 x 303 x 250	5066 x 366	4750 x 90	5155 x 470 x 290	155	GRIP180V, GRIP160H, GRIP180H, GRIP200H, GRIP180C, GRIP200C

Step 2

The side of the box marked "Viewing Side" faces the projector.

Step 3

The mounting brackets for the HideAway box are secured at both ends for easy installation.

Step 4

Hang the HideAway so that the Aluminium Trim is flush with the underside of the ceiling.

Step 5

When you have secured the HideAway box on the ceiling, open the access panel and hang your Grandview Screen on the brackets supplied inside.

Step 6

Cable Access

Grandview screens have the cable exit on the left-hand side of the screen (from the viewing side). You will need to drill new access holes on this side.

Step 7

Testing

Check the screen travels freely through the slot and doesn't catch. If out of alignment you may need to insert a spacer.

Step 8

Follow the instructions supplied with your screen for the correct wiring diagram.

Step 9

Test that the screen operates correctly, and set the limits, if required. Follow the instructions supplied with your screen to do this.

Step 10

Screen should always retract to the Upper Limit previously set by the factory as the default position. The fabric should not be exposed when in the closed position.